

## V-3 TYPE

SIZE: 1/4"~4"



### STAINLESS STEEL

#### AISI-316

(EN10213 1.4408)(ASTM-A351-CF8M)

#### AISI-304

(EN10213 1.4308)(ASTM-A351-CF8)

### CARBON STEEL

#### S-20C

(EN10213 1.0619)(ASTM-A216-WCB)

#### FEATURES:

- Full port
- Pipe thread in accordance with ANSI B2.1, BS 21 1973, DIN 259/2999, ISO 228
- Lug body
- Blow-out proof stem
- Investment casting body and cap
- 1000 WOG (63 BAR)

#### OPTION:

- Locking device
- DIN standard M3 length

## V-3MH TYPE

SIZE: 1/4"~6"



TA-LUFT APPROVED

DIRECT MOUNTING PAD

### STAINLESS STEEL

#### AISI-316

(EN10213 1.4408)(ASTM-A351-CF8M)

#### AISI-304

(EN10213 1.4308)(ASTM-A351-CF8)

### CARBON STEEL

#### S-20C

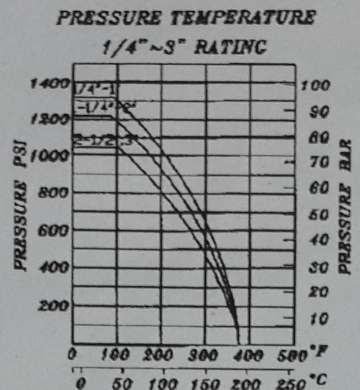
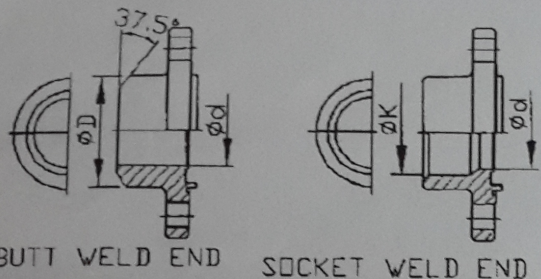
(EN10213 1.0619)(ASTM-A216-WCB)

#### FEATURES:

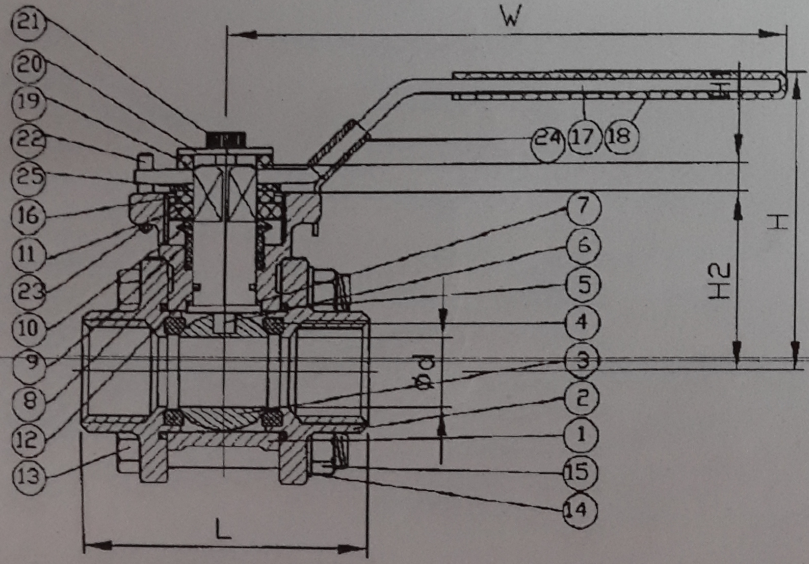
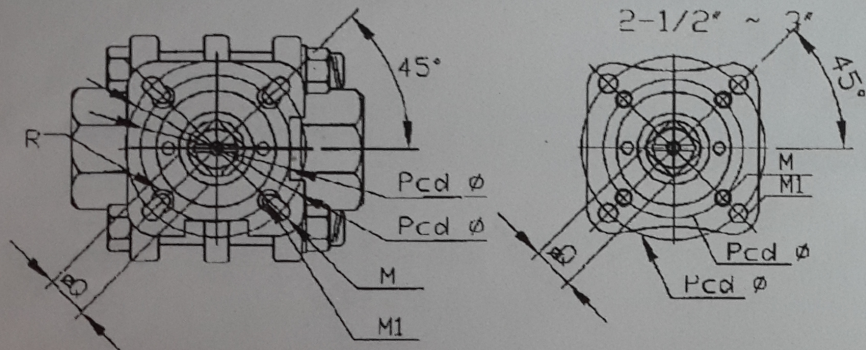
- Full port
- Pipe thread in accordance with ANSI B2.1, BS21 1973, DIN 259/2999, ISO 228
- Lug body
- Blow-out proof stem
- Investment casting body and cap
- 1000 WOG (63 BAR)
- Direct mounting pad for ISO standard 5211

#### OPTION:

- C Style clip without handle
- DIN standard M3 length(Different mould)
- Locking device(Different mould)



NORMAL SIZE	ød	L	H	H1	H2	W	ISO-521				øD	R	ød	øK	CY FACTOR	TORQUE kgf-cm	KGS		
							F03	F04	F05	F07									
1/4"	11.6	55	58	7.5	37	112	F03 ø3.0	F04 ø3.0	F05 ø3.0	F07 ø3.0	ø20	4.3	ø11	ø14	6.6	40	0.46		
3/8"	12.8	55	58	7.5	37	112	F03 ø3.5	F04 ø3.5	F05 ø3.5	F07 ø3.5	ø20	4.3	ø12.5	ø17.7	7.9	40	0.48		
1/2"	15	60	60	7.5	38	112	F03 ø4.0	F04 ø4.0	F05 ø4.0	F07 ø4.0	ø23	4.3	ø16	ø21.7	11.2	54	0.54		
3/4"	20	75	59	8.8	41.7	138	F03 ø4.5	F04 ø4.5	F05 ø4.5	F07 ø4.5	R3.0	R3.0	ø28	4.3	ø20	ø27.1	21	74	0.82
1"	25	80	68	8.8	44.4	138	F03 ø5.0	F04 ø5.0	F05 ø5.0	F07 ø5.0	R3.5	R3.0	ø34	5.5	ø25	ø33.5	34	104	1.1
1-1/4"	32	95	91	10.4	54	205	F03 ø5.5	F04 ø5.5	F05 ø5.5	F07 ø5.5	R4.0	R3.5	ø41	5.5	ø32	ø42.6	57	135	1.72
1-1/2"	38	105	87	10.4	59.5	205	F03 ø6.0	F04 ø6.0	F05 ø6.0	F07 ø6.0	R4.5	R3.5	ø49	5.5	ø38	ø48.7	80	180	2.3
2"	50	120	94	10.4	67	205	F03 ø6.5	F04 ø6.5	F05 ø6.5	F07 ø6.5	R4.5	R3.5	ø62	5.5	ø51	ø61.1	148	250	3.5
2-1/2"	65	160	133	18	102	330	F03 ø7.0	F04 ø7.0	F05 ø7.0	F07 ø7.0	ø11	ø9.0	ø76	5.5	ø65	ø73.8	265	400	12.38
3"	80	144	144	18	112.5	330	F03 ø7.5	F04 ø7.5	F05 ø7.5	F07 ø7.5	ø11	ø9.0	ø93	5.5	ø80	ø89.8	415	660	19.83



ITEM	PARTS	QTY	MATERIALS		
			V3MH-316	V3MH-304	V3MH-C
1	BDDY	1	ASTM-A351-CF8M	ASTM-A216-WCB	ASTM-A216-WCB
2	CAP	2	ASTM-A351-CF8M	ASTM-A216-WCB	ASTM-A216-WCB
3	BALL	1	ASTM-A351-CF8M	ASTM-A351-CF8M	ASTM-A351-CF8M
4	BALL SEAT	2	PTFE	PTFE	PTFE
5	JOINT GASKET	2	PTFE	PTFE	PTFE
6	STEM	1	AISI 316	AISI 316	AISI 316
7	THRUST WASHER	1	PTFE	PTFE	PTFE
8	STEM PACKING	2	PTFE	PTFE	PTFE
9	HIGH WASHER	1	AISI 304	AISI 304	AISI 304
10	BELLEVILLE WASHER	2	AISI 301	AISI 301	AISI 301
11	INSERT CAP	1	AISI 304	AISI 304	AISI 304
12	O-RING	1	VITON	VITON	VITON
13	BOLT	4 (2-1/2".3" x 6)	AISI 304	AISI 304	AISI 304
14	SPRING WASHER	4 (2-1/2".3" x 6)	AISI 304	AISI 304	AISI 304
15	HEX NUT	4 (2-1/2".3" x 6)	AISI 304	AISI 304	AISI 304
16	SQUARE WASHER	1	AISI 304	AISI 304	AISI 304
17	HANDLE	1	AISI 430	AISI 430	AISI 430
18	PLASTIC COVER	1	P.V.C	P.V.C	P.V.C
19	SQUARE WASHER	1	AISI 304	AISI 304	AISI 304
20	WASHER	1	AISI 304	AISI 304	AISI 304
21	HANDLE NUT	1	AISI 304	AISI 304	AISI 304
22	STOP PIN	1	AISI 304	AISI 304	AISI 304
23	HEX NUT	1	AISI 304	AISI 304	AISI 304
24	LOCK DEVICE	1	AISI 304	AISI 304	AISI 304
25	HENDLE SHIM	1	15% R-PTFE	15% R-PTFE	15% R-PTFE

Rev. B

Checked Morris Date 2010/1/5 Type V-3MH

Designer Kevin Scale Fit Dwg\_No. VT\_V3MH\_095

Drawn Aaron Describe 3-PIECE MOUNTING PAD FULL PORT BALL VALVE