

## LIQUID FILLED PRESSURE GAUGES, VACUUM GAUGES, COMPOUND GAUGES.

LIQUID FILLED GAUGES ARE FILLED WITH A LIQUID, USUALLY GLYCERIN OR SILICONE OIL AND ARE DESIGNED TO PERFORM AND ENGINEERED TO FUNCTION IN DIFFICULT CONDITIONS AND ENVIRONMENTS. THEY'RE ALSO MORE ECONOMICAL FROM A LONG-TERM PERSPECTIVE: PREVENT HIGH HEAT, PULSATION OR VIBRATION FROM LEADING TO INSTRUMENTS BREAKDOWN.

- SUITABLE FOR THE HEAVY DUTY SERVICE WHERE PRESSURE IMPULSE, SHOCK AND VIBRATION ARE ENCOUNTERED.
- DIAMETER = 1.5",2",2.5",3",4",6", (40, 50,60,75,100,150 mm)
- CONNECTION = 1/8",1/4",3/8",1/2" NPT OR PT
- PRESSURE RANGE = -76 cm Hg ~ 0 ~ 1000 kg/cm<sup>2</sup> (in Hg / psi)
- MATERIAL = CASE , BEZEL : SUS304,  
WETTED PARTS : BRASS
- ACCURACY = 1.5 % F.S.



**L-A**



**L-AD**



**L-DU**

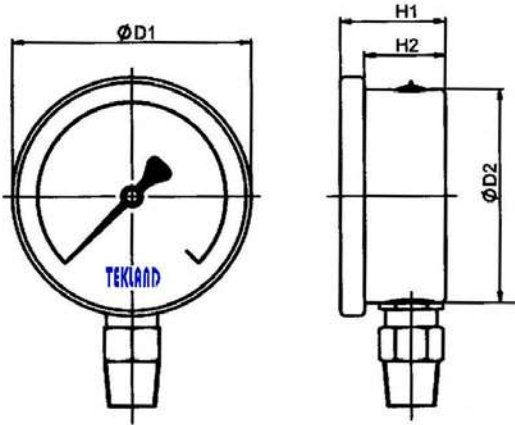


**L-BD**

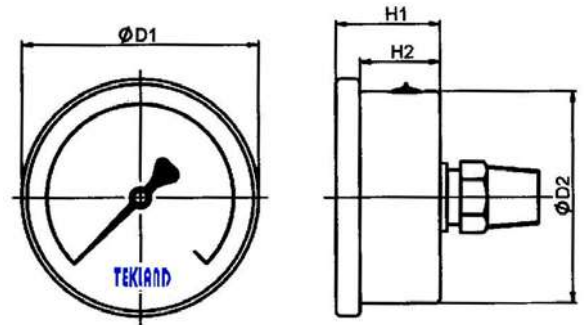
## LIQUID FILLED PRESSURE GAUGES

### TYPES & DIMENSIONS

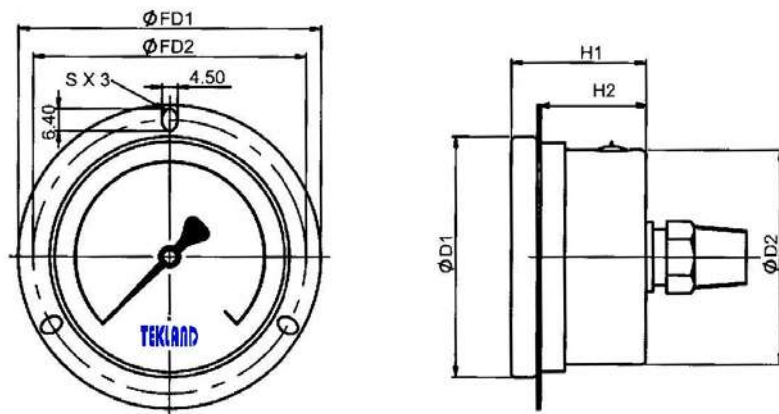
#### TYPE A: BOTTOM CONNECTION



#### TYPE B: BACK CONNECTION



#### TYPE C: BACK CONNECTION WITH FRONT FLANGE



#### DIMENSIONS(MM)

DIAL	TYPE	D1	D2	H1	H2	FD1	FD2
40	A/B	47.5 / 47.5	41.1 / 41.1	26.4 / 25	20.7 / 19.4		
50	A/B	57.5 / 57.5	50.9 / 50.9	27.5 / 27.5	23 / 23		
	C	57.5	50.8	27	20.6	69.8	64.5
63	A/B	69.3 / 69.3	61.8 / 61.8	29.5 / 29.5	23 / 22.8		
	C	69.3	61.8	29.5	22.8	88	79
75	A/B	82.5 / 82.5	73.2 / 73.2	35.7 / 35.7	29 / 29		
	C	82.5	73.2	37	24	104.9	94
100	A/B	105.8/105.8	98.2 / 98.2	37.2 / 37	30 / 30		
	C	105.8	98.2	37.2	28.5	131.5	117