

XOF Series Air Filter

The OF with water separator cleans the compressed air of fluid oil, condensation and dirt particles, for special application, the standard 40 μm filter element may easily be replaced by a 5 μm filter element.



XOF-MINI

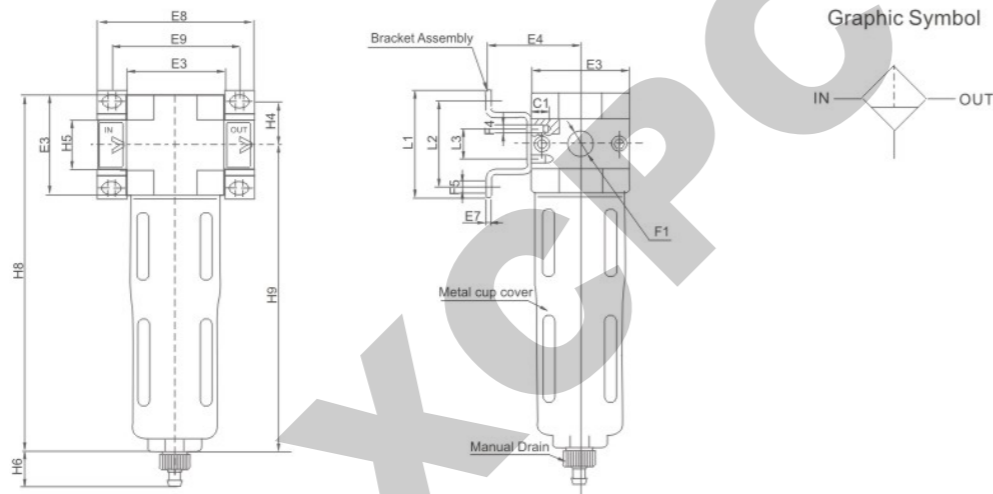
Ordering Code

XO	F	MINI	1/4	□	□
Series XO Series	Function code Filter	Body MINI MIDI MAXI	Port Size G1/8" G1/4" G3/8" G1/2" G3/4" G1"	Grade of Filtration Blank: 40μm 5M: 5μm	Drain Type Blank: Turnd Manually A: Auto Drain Type

Specification

Filters	MINI			MIDI			MAXI	
40μm	XOF-1/8-MINI	XOF-1/4-MINI	XOF-3/8-MINI	XOF-3/8-MIDI	XOF-1/2-MIDI	XOF-3/4-MIDI	XOF-3/4-MAXI	XOF-1-MAXI
5μm	XOF-1/8-5M-MINI	XOF-1/4-5M-MINI	XOF-3/8-5M-MINI	XOF-3/8-5M-MIDI	XOF-1/2-5M-MIDI	XOF-3/4-5M-MIDI	XOF-3/4-5M-MAXI	XOF-1-5M-MAXI
Medium	Compressed air							
Features of structure	Sintered filter with water spartor							
Mounting type	Pipe mounting or foot mounting							
Assembly position	Vertical ±5°							
Connection	G1/8"	G1/4"	G3/8"	G3/8"	G1/2"	G3/4"	G3/4"	G1"
Standard nominal flow rate	OF-... 1000	OF-... 1200	OF-... 1400	OF-... 2700	OF-... 3000	OF-... 3000	OF-... 5000	OF-... 5300
Primary pressure	Manual drain	1~16bar						
Grade of filtration	40μm/5μm							
Max. condensate capacity	22ml							
Temperature range	0~60°C							
Materials information	Housing: Zinc die-casting; Filter bowl: PC; Metal bowl guard: Aluminum alloy; Sealing: NBR							

Overall Dimensions

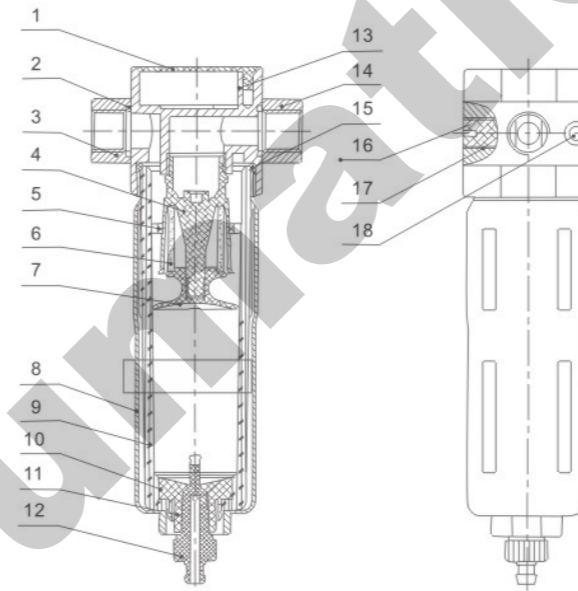


Dimension Sheet

Model	E3	E4	E7	E8	E9	F1	F4	F5Φ	L1	L2	L3	H4	H5	H6	H8	H9
XOF-...-MINI	40	39	2	64	52	G1/8", G1/4", G3/8"	M4	4.5	44	35	11	17.5	20	15	144	124
XOF-...-MIDI	55	47	3	85	70	G1/8", G1/2", G3/4"	M5	5.5	71	60	22	30	32	15	180	153
XOF-...-MAXI	66	53	3	96,116	80,91	G3/4", G1"	M5	5.5	71	60	22	30	32,40	15	203	170

XOF Series Air Filter

Internal structure



NO	Item	Material
1	Ornament cover(round)	POM
2	O-ring	NBR
3	Flange-IN	Zinc alloy
4	Filter element base	POM
5	Whirl wind impeller	POM
6	Filter element	PE
7	Manger	POM
8	Metal bowl guard	Aluminum alloy
9	Filter bowl	PC
10	O-ring	NBR
11	Inner joint	POM
12	Condensate drain	POM
13	OF Body	Zinc alloy
14	Flange-OUT	Zinc alloy
15	O-ring	NBR
16	Plug	POM
17	O-ring	NBR
18	Allen screw	S35C

Flow diagram

Standard flow rate qn as a function of the output pressure p2

