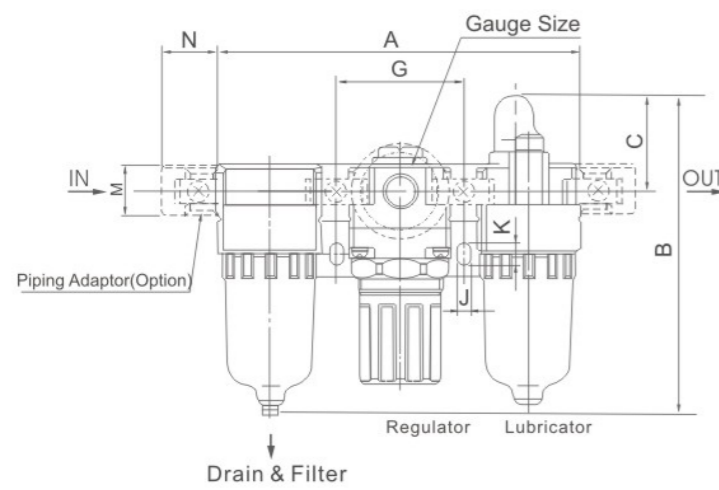
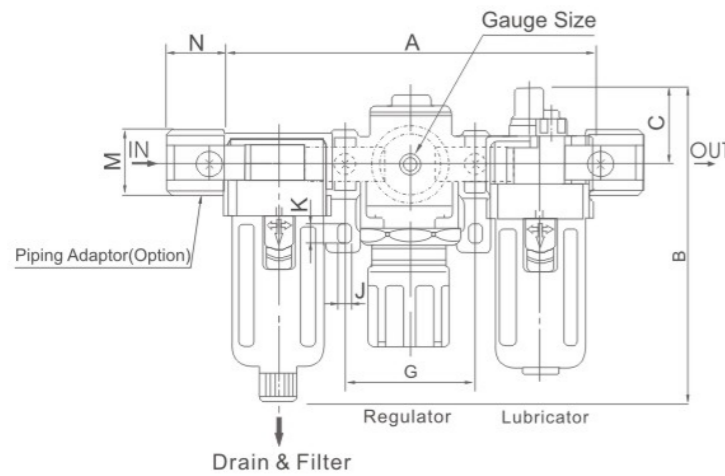
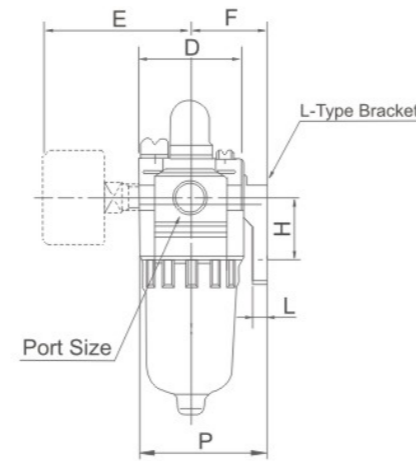


**XAC1000~5000 Series Air Source Treatment Unit(F.R.L Combination)**

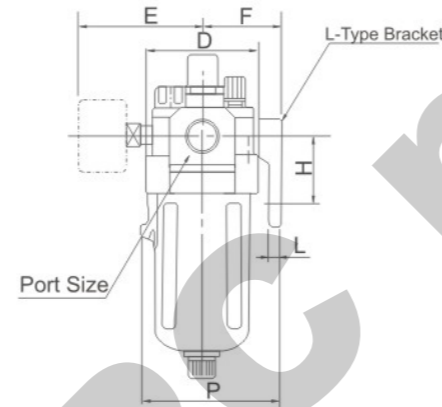
Overall Dimensions



XAC1000~2000



XAC3000~5000



Dimension Sheet

Model	Port Size (G)	A	B	C	D	E	F	G	H	J	K	L	M	N	P
XAC1000	M5	91	84.5	25.5	25	26	25	33	20	4.5	7.5	5	17.5	16	38.5
XAC2000	G1/8" ~G1/4"	140	125	38	40	56.8	30	50	24	5.5	8.5	5	22	23	50
XAC3000	G1/4" ~G3/8"	181	156.5	38	53	60.8	41	64	35	7	11	7	34.2	26	70.5
XAC4000	G3/8" ~1/2"	238	191.5	41	70	65.5	50	84	40	9	13	7	42.2	33	88
XAC4000-06	G3/4"	253	193	40.5	70	69.5	50	89	40	9	13	7	46.2	36	88
XAC5000	G3/4" ~G1"	300	271.5	48	90	75.5	70	105	50	12	16	10.5	55.5	40	115

**XAC1010~5010 Series Air Source Treatment Unit(FR.L Combination)**



Ordering Code

<b>XA</b>	<b>C</b>	<b>4010</b>	—	<b>04</b>	<input type="checkbox"/>	<input type="checkbox"/>
<b>Series</b> XA series	<b>Function code</b> F.R.L Combination	<b>Body Size</b> 1010 2010 3010 4010 5010		<b>Port Size</b> M5:M5×0.8 01:G1/8" 02:G1/4" 03:G3/8" 04:G1/2" 06:G3/4" 10:G1"	<b>Drain Type</b> Blank:Manual Drain Type D:Auto Drain Type (Available for 2000 or above)	<b>Metal Cup</b> U: With Iron Cup L: With Aluminum Cup (Available for 2000)

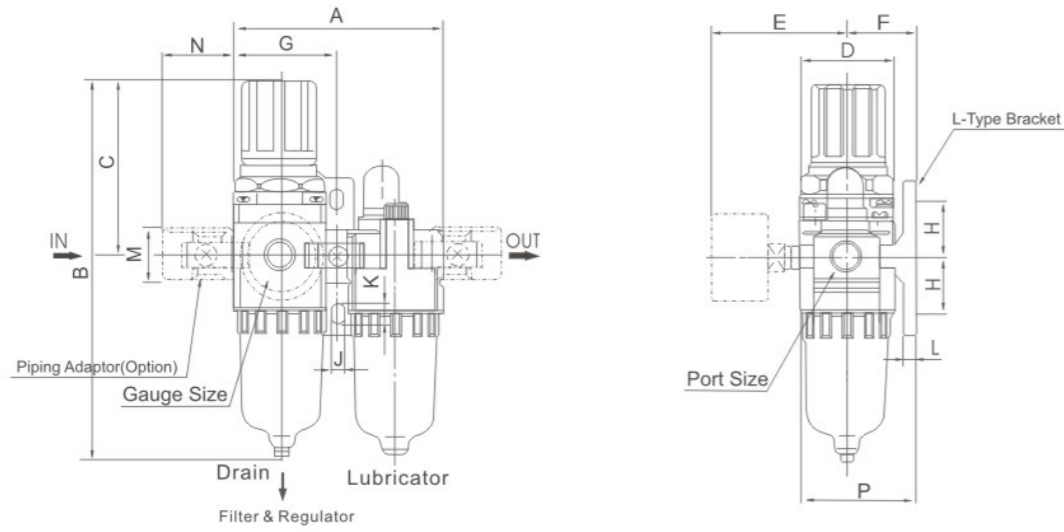
Specification

Model	XAC1010-M5	XAC2010-01	XAC2010-02	XAC3010-02	XAC3010-03	XAC4010-03	XAC4010-04	XAC4010-06	XAC5010-06	XAC5010-10
Rated Flow(L/min)	90	500	500	1700	1700	3000	3000	3000	4000	4000
Port Size	M5	G1/8"	G1/4"	G1/4"	G3/8"	G3/8"	G1/2"	G3/4"	G3/4"	G1"
Filter Precision	25 μ									
Highest Working Pressure	1.0MPa									
Ensured pressure Resistance	1.5MPa									
Operating Temperature Range	5~60℃									
Range of Adjustable Pressure	0.05~0.7MPa					0.05~0.85MPa				
Recommended Oil Use	ISO VG 32									
Container Material	Polycarbonate					Polycarbonate				
Protective Cover	Not Available					Available				
Drain Function	Differential Drain					Differential Drain, Automatic Drain				
Valve Type	With Over flow									
Composing Elements	Filter&Regulator	XAW1000-M5	XAW2000-01	XAW2000-02	XAW3000-02	XAW3000-03	XAW4000-03	XAW4000-04	XAW4000-06	XAW5000-06
	Lubricator	XAL1000-M5	XAL2000-01	XAL2000-02	XAL3000-02	XAL3000-03	XAL4000-03	XAL4000-04	XAL4000-06	XAL5000-06

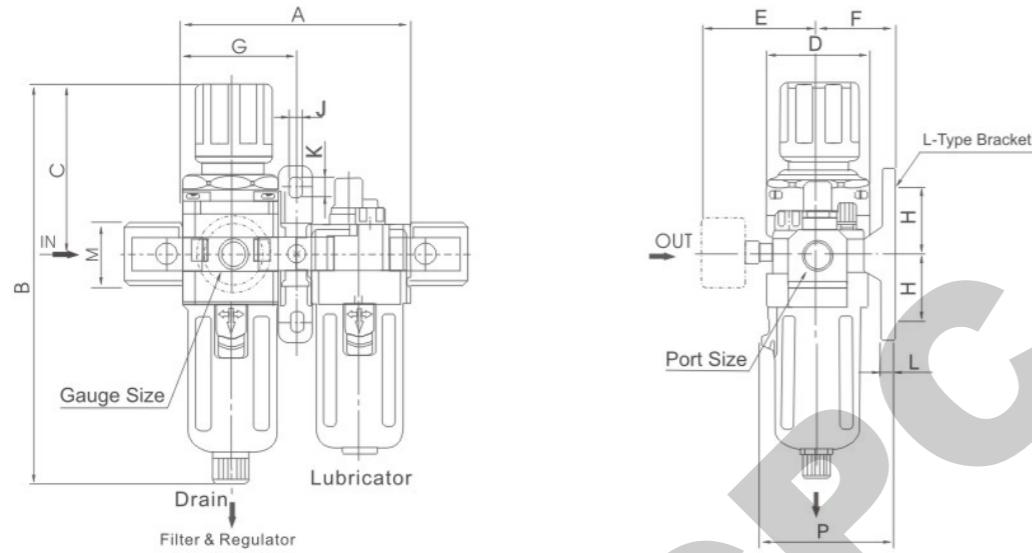
Note: We have upgraded Oil Drop Accessories on Lubricator of XA series 2000-5000 same to the XO series.

**XAC1010~5010 Series Air Source Treatment Unit(FR.L Combination)**

Overall Dimensions



XAC1010~2010



XAC3010~5010

Dimension Sheet

Model	Port Size(G)	A	B	C	D	E	F	G	H	J	K	L	M	N	P
XAC1010	M5	58	109.5	50.5	25	26	25	29	20	4.5	7.5	5	17.5	16	38.5
XAC2010	G1/8"~G1/4"	90	164.5	78	40	56.8	30	45	24	5.5	8.5	5	22	23	50
XAC3010	G1/4"~G3/8"	117	211	92.5	53	60.8	41	58.5	35	7	11	7	34.2	26	70.5
XAC4010	G3/8"~1/2"	154	262	112	70	70.5	50	77	40	9	13	7	42.2	33	88
XAC4010-06	G3/4"	164	267	114	70	70.5	50	82	40	9	13	7	46.2	36	88
XAC5010	G3/4"~G1"	195	338	116	90	75.5	69.8	97.5	50	12	16	10.5	55.5	40	115

**XAF1000~5000 Series Air Filter**

Ordering Code

XA Series XA series

F Function code Filter

4000 Body Size 1000, 2000, 3000, 4000, 5000

04 Port Size M5:M5×0.8, 01:G1/8", 02:G1/4", 03:G3/8", 04:G1/2", 06:G3/4", 10:G1"

Blank:Manual Drain Type, D:Auto Drain Type (Available for 2000 or above)

U: With Iron Cup, L: With Aluminum Cup (Available for 2000)

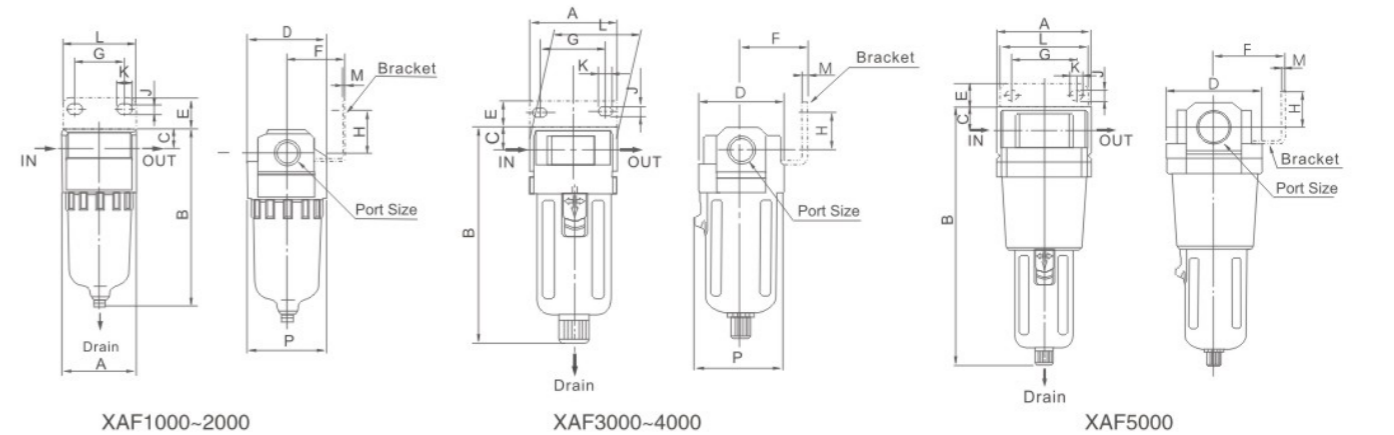
Graphic Symbol

XAF5000-10 XAF4000-04 XAF2000-02

Specification

Model	XAF1000-M5	XAF2000-01	XAF2000-02	XAF3000-02	XAF3000-03	XAF4000-03	XAF4000-04	XAF4000-06	XAF5000-06	XAF5000-10
Rated Flow(L/min)	110	750	750	1500	1500	4000	4000	6000	7000	7000
Port Size	M5	G1/8"	G1/4"	G1/4"	G3/8"	G3/8"	G1/2"	G3/4"	G3/4"	G1"
Filter Precision	25 μ									
Highest Working Pressure	1.0MPa									
Ensured pressure Resistance	1.5MPa									
Operating Temperature Range	5~60°C									
Container Material	Polycarbonate									
Protective Cover	Not Available					Available				
Drain Function	Differential Drain					Differential Drain, Automatic Drain				

Overall Dimensions



Dimension Sheet

Model	Port Size(G)	A	B	C	D	E	F	G	H	J	K	L	M	P
XAF1000	M5	25	66	7	25	-	-	-	-	-	-	-	-	26.5
XAF2000	G1/8"~G1/4"	40	97.5	11	40	17	30	27	22	5.4	8.4	40	2.3	40
XAF3000	G1/4"~G3/8"	53	132.5	14	53	16	41	40	23	6.5	8	53	2.3	56
XAF4000	G3/8"~1/2"	70	168.5	18	70	17	50	54	26	8.5	10.5	70	2.3	73
XAF4000-06	G3/4"	75	172.5	20	70	14	50	54	25	8.5	10.5	70	2.3	73
XAF5000	G3/4"~G1"	90	247.5	24	90	23	66.5	66	35	11	13	90	3.2	90