

XA Series Air Source Treatment Unit

F.R.L Part list

XAR3000				XAF3000			
No	Name	Qty	Material	No	Name	Qty	Material
1	Regulator seat	1	ZZnA14-1	1	Regulator Body	1	Aluminum
2	O-ring	1	NBR	2	O-ring	1	NBR
3	O-ring	1	NBR	3	Whirlwing blade	1	ABS
4	Washer	1	Carbon steel	4	Filter Element	1	Brass
5	Spring	1	Stainless steel	5	Bolt blard	1	Carbon Steel
6	Retainer ring	1	Carbon steel	6	Drain blard	1	ABS
7	Valve core	1	Brass	7	Water cup	1	Poly Carbonate
8	Spool	1	Brass+NBR	8	Valve Core	1	Brass
9	Regulator Body	1	Aluminum	9	Spring	1	Stainless steel
10	Plug	1	Carbon steel	10	O-ring	1	NBR
11	O-ring	1	NBR	11	Drain valve	1	Brass
12	Retainer ring	1	Carbon steel	12	O-ring	1	NBR
13	Pipe	1	POM	13	Hex Nut	1	Brass
14	Diaphragm seat	1	Brass	14	Nut	1	Brass
15	Diaphragm	1	NBR	15	Bowl guard	1	Carbon steel
16	Spring seat	1	Carbon steel	16	Spring	1	Stainless steel
17	Spring	1	Carbon steel	17	Pin	1	ABS
18	Regulate Nut	1	Carbon steel	18	Lock	1	ABS
19	Washer	1	POM				
20	Regulate bolt	1	Carbon steel				
21	Valve cover	1	Reinforce nylon				
22	Spring washer	4	Carbon steel				
23	Cross screw	4	Carbon steel				
24	Nut	1	Reinforce nylon				
25	Symbol ring	1	Reinforce nylon				
26	Regulate handle	1	Reinforce nylon				

XAL3000				XAW3000			
No	Name	Qty	Material	No	Name	Qty	Material
1	Plug	1	ABS	1	Valve core	1	Brass
2	O-ring	1	NBR	2	Spring	1	Stainless steel
3	Oil regulate Screw	1	ABS	3	O-ring	1	NBR
4	Oil drop tube	1	Polycarbonate	4	Drain valve	1	Brass
5	O-ring	1	NBR	5	O-ring	1	NBR
6	Oil drop tube	1	Polycarbonate	6	Hex Nut	1	Brass
7	O-ring	1	NBR	7	Nut	1	Brass
8	Lubricator Body	1	Aluminum	8	Pin	1	ABS
9	Regulate needle	1	Brass	9	Lock	1	ABS
10	O-ring	1	NBR	10	Spring	1	Stain Steel
11	Oil regulate valve seat	1	Brass	11	Bowl guard	1	Carbon steel
12	Reed	1	Poly urethane	12	Whirlwing blade	1	ABS
13	Reed seat	1	ZZnA14-1	13	Filter element	1	Brass
14	Bracket	1	ZZnA14-1	14	Bolt	1	Carbon Steel
15	Small hole seat	1	Brass	15	Drain board	1	ABS
16	Steel Ball	1	Carbon steel	16	O-ring	1	NBR
17	Spring	1	Stainless steel	17	Water cup	1	Polycarbonate
18	One way valve seat	1	Brass	18	Diaphragm Pollet	1	Carbon steel
19	Reed seat board	1	ZZnA14-1	19	Diaphragm	1	NBR
20	Screw	2	Carbon steel	20	Diaphragm seat	1	Brass
21	Filter Element	1	Brass	21	Pipe	1	POM
22	O-ring	1	NBR	22	Retainer ring	1	Carbon steel
23	Middle Part	1	Aluminum	23	O-ring	1	NBR
24	Spring washer	4	Carbon steel	24	Regulator Body	1	Aluminum
25	Hex Screw	4	Carbon steel	25	Plug	1	Carbon steel
26	O-ring	1	NBR	26	Spool	1	Brass+NBR
27	Steel Ball	1	Carbon steel	27	Valve core	1	Brass
28	Fitting	1	POM	28	O-ring	1	NBR
29	Pin	1	Carbon steel	29	Retainer ring	1	Carbon steel
30	Oil tube	1	PU	30	Spring	1	Stain steel
31	O-ring	1	NBR	31	Overflow valve seat	1	ZZnA14-1
32	O-ring	1	NBR	32	Regulate handle	1	Reinforce nylon
33	Oil cup	1	Polycarbonate	33	Symbol ring	1	Reinforce nylon
34	Bowl guard	1	Carbon steel	34	Nut	1	Reinforce nylon
35	Spring	1	Stainless steel	35	Valve cover	1	Reinforce nylon
36	Pin	1	ABS	36	Cross screw	4	Carbon steel
37	Lock	1	ABS	37	Spring washer	4	Carbon steel
				38	Regulate Bolt	1	Carbon steel
				39	Washer	1	POM
				40	Regulate Nut	1	Carbon steel
				41	Spring	1	Carbon steel

XAC1000~5000 Series Air Source Treatment Unit(F.R.L Combination)



Ordering Code

Graphic Symbol

XA	C	4000	04		
Series XA series	Function code F.R.L Combination	Body Size 1000 2000 3000 4000 5000	Port Size M5:M5×0.8 01:G1/8" 02:G1/4" 03:G3/8" 04:G1/2" 06:G3/4" 10:G1"	Drain Type Blank:Manual Drain Type D:Auto Drain Type (Available for 2000 or above)	Metal Cup U: With Iron Cup L: With Aluminum Cup (Available for 2000)

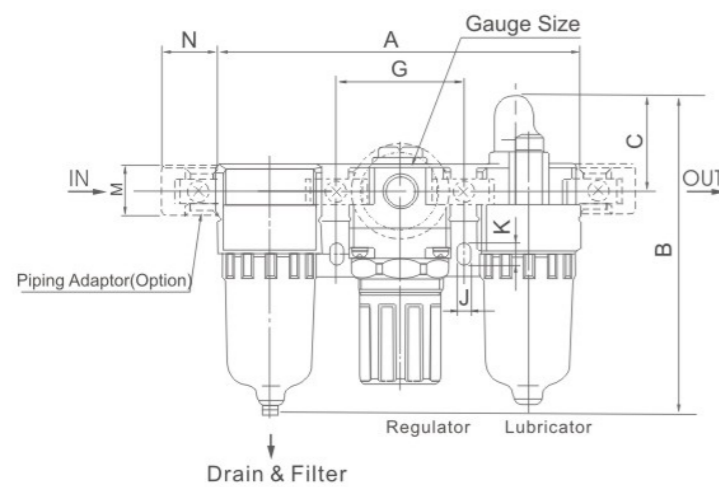
Specification

Model	XAC1000-M5	XAC2000-01	XAC2000-02	XAC3000-02	XAC3000-03	XAC4000-03	XAC4000-04	XAC4000-06	XAC5000-06	XAC5000-10	
Rated Flow(L/min)	90	500	500	2000	2000	4000	4000	4500	5000	5000	
Port Size	M5	G1/8"	G1/4"	G1/4"	G3/8"	G3/8"	G1/2"	G3/4"	G3/4"	G1"	
Filter Precision	25 μ										
Highest Working Pressure	1.0MPa										
Ensured pressure Resistance	1.5MPa										
Operating Temperature Range	5~60℃										
Range of Adjustable Pressure	0.05~0.7MPa					0.05~0.85MPa					
Recommended Oil Use	ISO VG 32										
Container Material	Polycarbonate										
Protective Cover	Not Available					Available					
Drain Function	Differential Drain					Differential Drain/Automatic Drain					
Valve Type	With Over flow										
Composing Elements	Filter	XAF1000-M5	XAF2000-01	XAF2000-02	XAF3000-02	XAF3000-03	XAF4000-03	XAF4000-04	XAF4000-06	XAF5000-06	XAF5000-10
	Regulator	XAR1000-M5	XAR2000-01	XAR2000-02	XAR3000-02	XAR3000-03	XAR4000-03	XAR4000-04	XAR4000-06	XAR5000-06	XAR5000-10
	Lubricator	XAL1000-M5	XAL2000-01	XAL2000-02	XAL3000-02	XAL3000-03	XAL4000-03	XAL4000-04	XAL4000-06	XAL5000-06	XAL5000-10

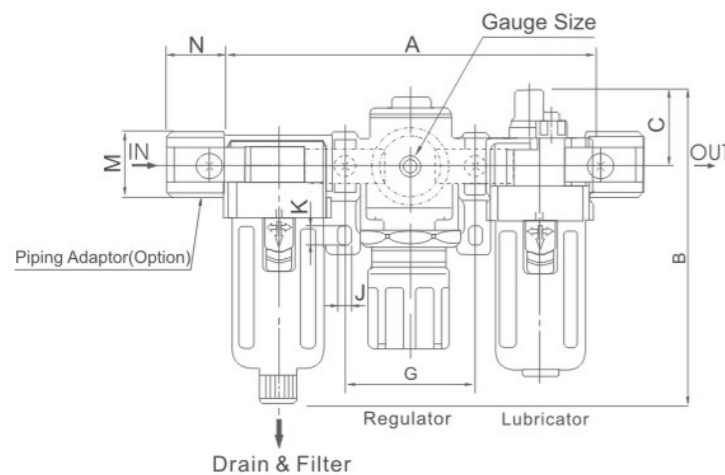
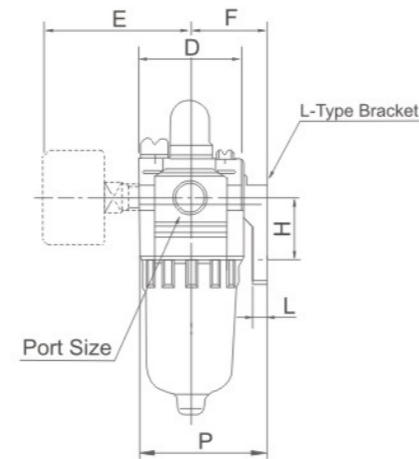
Note: We have upgraded Oil Drop Accessories on Lubricator of XA series 2000-5000 same to the XO series.

XAC1000~5000 Series Air Source Treatment Unit(F.R.L Combination)

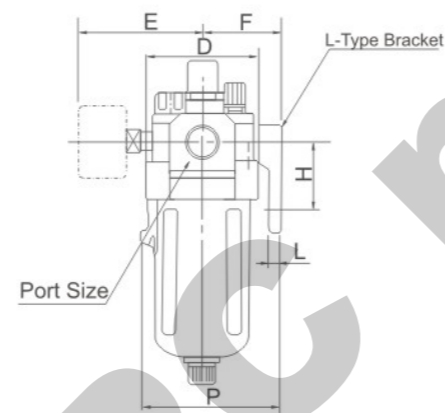
Overall Dimensions



XAC1000~2000



XAC3000~5000



Dimension Sheet

Model	Port Size (G)	A	B	C	D	E	F	G	H	J	K	L	M	N	P
XAC1000	M5	91	84.5	25.5	25	26	25	33	20	4.5	7.5	5	17.5	16	38.5
XAC2000	G1/8" ~G1/4"	140	125	38	40	56.8	30	50	24	5.5	8.5	5	22	23	50
XAC3000	G1/4" ~G3/8"	181	156.5	38	53	60.8	41	64	35	7	11	7	34.2	26	70.5
XAC4000	G3/8" ~1/2"	238	191.5	41	70	65.5	50	84	40	9	13	7	42.2	33	88
XAC4000-06	G3/4"	253	193	40.5	70	69.5	50	89	40	9	13	7	46.2	36	88
XAC5000	G3/4" ~G1"	300	271.5	48	90	75.5	70	105	50	12	16	10.5	55.5	40	115

XAC1010~5010 Series Air Source Treatment Unit(FR.L Combination)



Ordering Code

XA	C	4010	—	04	<input type="checkbox"/>	<input type="checkbox"/>
Series XA series	Function code F.R.L Combination	Body Size 1010 2010 3010 4010 5010		Port Size M5:M5×0.8 01:G1/8" 02:G1/4" 03:G3/8" 04:G1/2" 06:G3/4" 10:G1"	Drain Type Blank:Manual Drain Type D:Auto Drain Type (Available for 2000 or above)	Metal Cup U: With Iron Cup L: With Aluminum Cup (Available for 2000)

Graphic Symbol

Specification

Model	XAC1010-M5	XAC2010-01	XAC2010-02	XAC3010-02	XAC3010-03	XAC4010-03	XAC4010-04	XAC4010-06	XAC5010-06	XAC5010-10
Rated Flow(L/min)	90	500	500	1700	1700	3000	3000	3000	4000	4000
Port Size	M5	G1/8"	G1/4"	G1/4"	G3/8"	G3/8"	G1/2"	G3/4"	G3/4"	G1"
Filter Precision	25 μ									
Highest Working Pressure	1.0MPa									
Ensured pressure Resistance	1.5MPa									
Operating Temperature Range	5~60℃									
Range of Adjustable Pressure	0.05~0.7MPa					0.05~0.85MPa				
Recommended Oil Use	ISO VG 32									
Container Material	Polycarbonate					Polycarbonate				
Protective Cover	Not Available					Available				
Drain Function	Differential Drain					Differential Drain, Automatic Drain				
Valve Type	With Over flow									
Composing Elements	Filter&Regulator	XAW1000-M5	XAW2000-01	XAW2000-02	XAW3000-02	XAW3000-03	XAW4000-03	XAW4000-04	XAW4000-06	XAW5000-06
	Lubricator	XAL1000-M5	XAL2000-01	XAL2000-02	XAL3000-02	XAL3000-03	XAL4000-03	XAL4000-04	XAL4000-06	XAL5000-06

Note: We have upgraded Oil Drop Accessories on Lubricator of XA series 2000-5000 same to the XO series.