

Air Unit (SAU120~620 Series)

Air Filter + Air Regulator



SAU 120



SAU 220



SAU 420

How to order

SAU 3 20 - 03 DG - MeP

- Air Unit**
- Body Size**
 - 1 - 1/8
 - 2 - 1/4
 - 3 - 3/8
 - 4 - 1/2
 - 6 - 1
- Composition**
 - 20 Filter(SAF)
 - Regulator(SAR)
- Thread type**
 - Nil - Rc(PT)
 - N - NPT
 - G - G(PF)
- Port Size**

Symbol	Size	Body size					
		1	2	3	4	6	
M5	M5	●					
01	1/8		●				
02	1/4		●	●			
03	3/8			●			
04	1/2				●		
06	3/4				●	●	
10	1					●	
- Accessory(Optional)**
 - Nil - None gauge / Manual Drain
 - D - Auto Drain

Symbol	Description	Body					
		1	2	3	4	6	
D	One-touch fitting type	●	●	●	●	●	
Dn	Nipple type	-	-	●	●	●	
Df	SAF200 Float type	-	●	-	-	-	

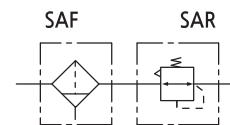
1. SAF100 and SAF200 are differential pressure type.
 2. SAF300~600 are float type.

 - G - Gauge

G	Round type gauge
Gs	Square embedded type

1. SAF110 is available only round type gauge.
- Bowl**
 - Nil - Polycarbonate bowl with Nylon guard
 - PcS - Polycarbonate bowl with Steel guard
 - MeP - Metal bowl with pipe type sight glass

Symbol



Specification

Composition	Filter + Regulator
Fluid	Compressed Air
Max. operating pressure	10bar (1.0MPa)
Max. supply pressure	15bar (1.5MPa)
Ambient and Media temp.	-5~60°C (No freezing)
Regulating range(SAR)	0.5~8.5bar (0.05~0.85MPa)
Filtration(SAF)	10µm (option: 2, 5, 20, 40)
Bowl material(SAF)	Poly-carbonate (option: ALDC)
Bowl Guard Material	Nylon
Construction(SAR)	Relief type

Precautions

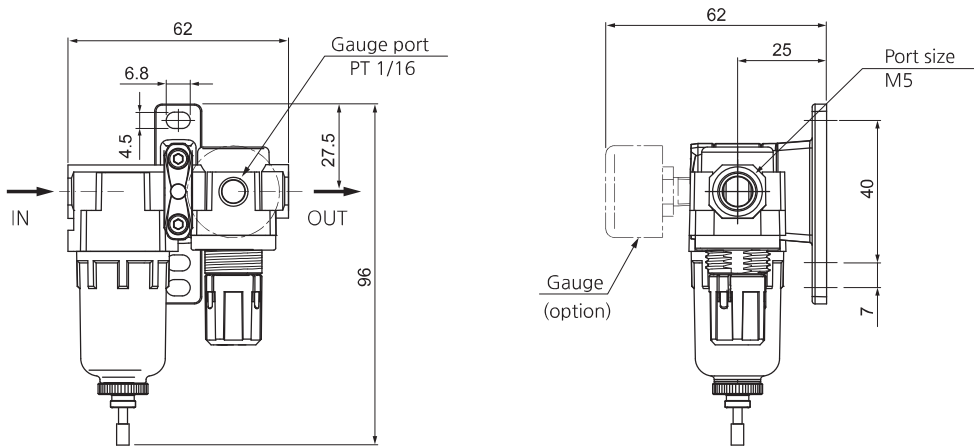
- Do not use Poly-carbonate bowls in an environment where they are exposed to or come in contact with organic solvents, chemicals, cutting oil, synthetic oil, alkali, and thread lock solutions.
- Components with a bowl must be installed vertically with the bowl downward so that faulty drain discharge and dripping can be verified.
- Set the outlet pressure range for the regulator in a range that is 85% or less of the inlet pressure. If set above 85%, the inlet pressure will be easily effected by fluctuations in the flow rate and inlet pressure, and will become unstable.
- To set the pressure using the knob, turn the knob in the direction that increases pressure and lock the knob after the pressure is set. If this is done in the direction that decreases pressure, the pressure may drop from the original set pressure. Turning the knob clockwise increases the outlet pressure, and turning it counterclockwise reduces the pressure.
- When auto drain is used, drain piping should be both 4mm or greater in diameter and less than 1m in length. Avoid installing drain piping upwards.
- When auto drain is inoperable, drain manually by pushing the one-touch fitting upward.

Series SAU120~620

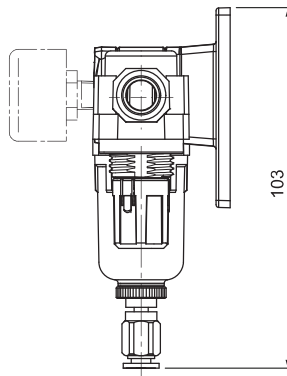
DIMENSIONS (mm)

SAU 120

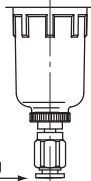
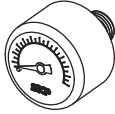
- SAU120-□□□



- Dimensions of each model with an option attached



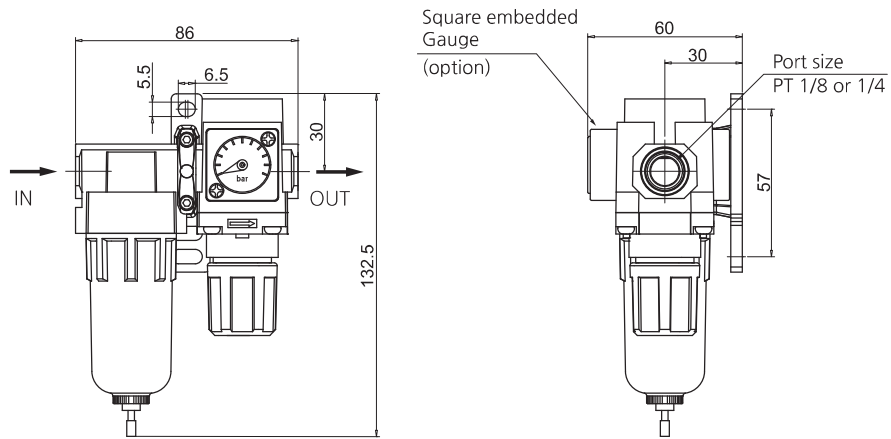
with Auto Drain
(Differential pressure type)

Option	D : Auto Drain (Differential pressure type)	G : Gauge
Model	 <p>φ4mm One-touch fitting</p>	 <p>G25, R1/16</p>

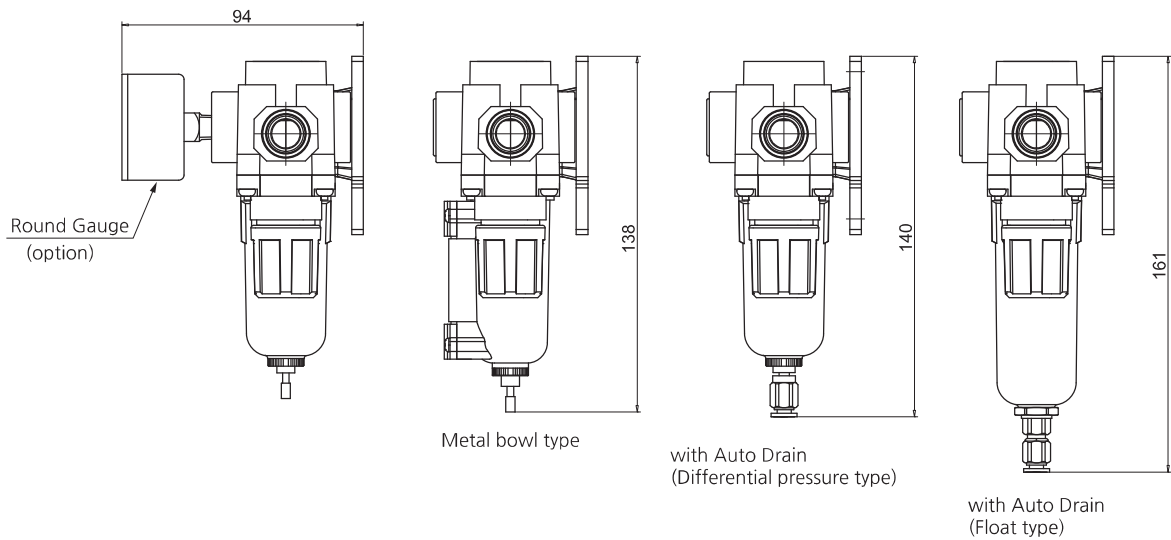
DIMENSIONS (mm)

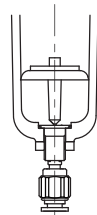
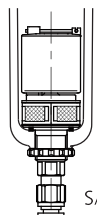


SAU 220

- SAU220-□02□□-□



- Dimensions of each model with an option attached



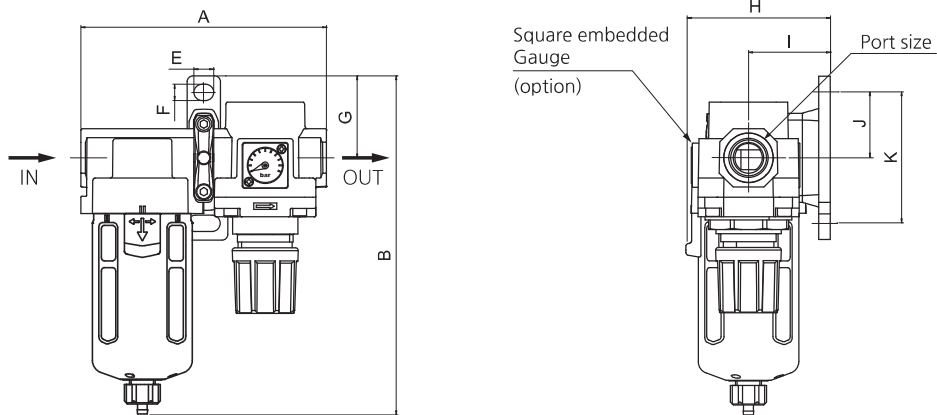
Option	Auto Drain		Gauge	
	D : Differential pressure type	Df : Float type	G : Round type	Gs : Square embedded type
Model		 SAD200	 G40, R1/8	 Gs28

Series SAU120~620

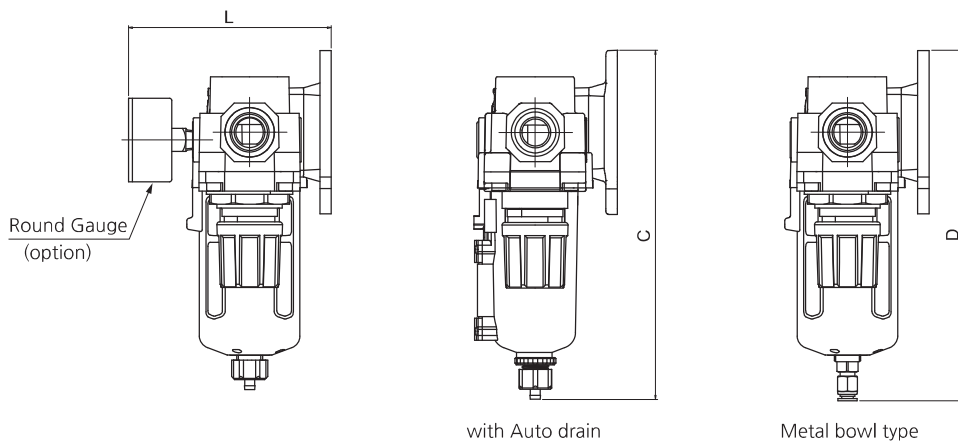
DIMENSIONS (mm)

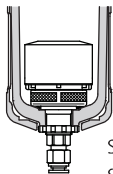


SAU 320~420

- SAU320-□03□□-□
- SAU420-□04(06)□□-□



- Dimensions of each model with an option attached



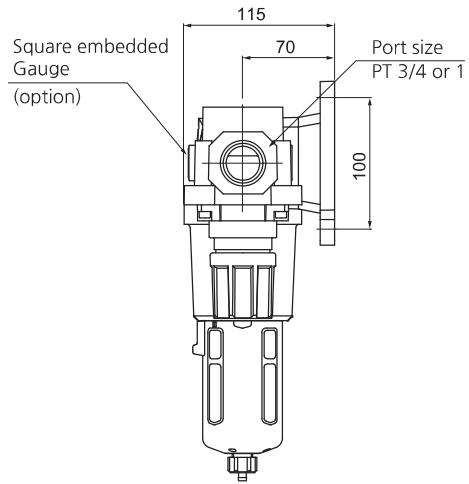
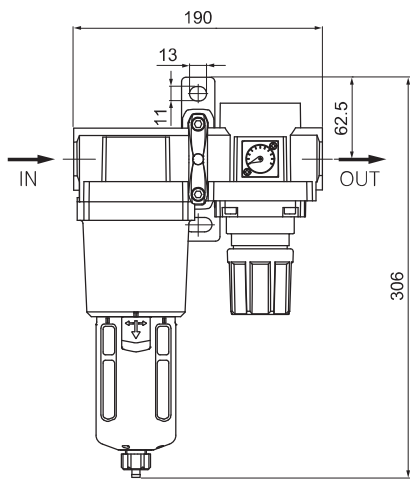
Option	D : Auto Drain	Gauge	
		G : Round type	Gs : Square embedded type
Model	 SAU300 : SAD300 SAU400 : SAD400	 SAU320 : G40, R1/8 SAU420 : G50, R1/4	 Gs28

Model	Port size	A	B	C	D	E	F	G	H	I	J	K	L
SAU320-03	1/4, 3/8	114	174	191	180	9	7	43.5	71.5	41	70	35	107
SAU420-04	1/2	150	207	212	214	11	9	50	87.5	50	80	40	127
SAU420-06	3/4	150	211	216	218	11	9	50	87.5	50	80	40	127

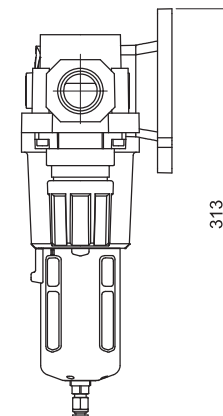
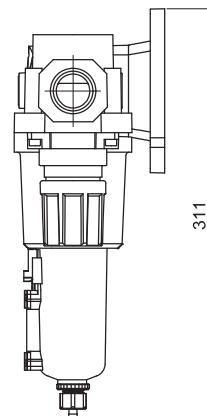
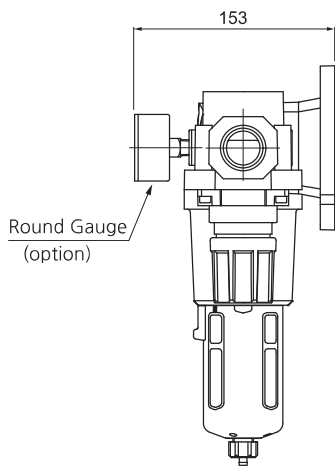
DIMENSIONS (mm)

SAU 620

- SAU620-□06(10)□□-□

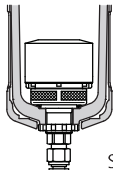




- Dimensions of each model with an option attached



Metal bowl type

with Auto drain

Option	D : Auto Drain	Gauge	
		G : Round type	Gs : Square embedded type
Model	 <p>SAD400</p>	 <p>G50, R1/4</p>	 <p>Gs28</p>