

# Air Regulator with T type Handle (SAR)

## SAR200T~600T Series

- With the backflow function, the SAR series incorporates a mechanism which exhausts the air pressure through the outlet side efficiently.



SAR300T



SAR400T



SAR600T

### How to order

SAR 4 00 T - 04 BGK

① Air Regulator

② Body Size

- 2 - 1/4
- 3 - 3/8
- 4 - 1/2, 3/4
- 6 - 1

③ Handle type

T - T type handle

④ Thread type

- Nil - Rc(PT)
- N - NPT
- G - G(PF)

⑤ Port Size

| 기호 | 사이즈 | 몸체 사이즈 |   |   |   |
|----|-----|--------|---|---|---|
|    |     | 2      | 3 | 4 | 6 |
| 01 | 1/8 | ●      |   |   |   |
| 02 | 1/4 | ●      | ● |   |   |
| 03 | 3/8 |        | ● |   |   |
| 04 | 1/2 |        |   | ● |   |
| 06 | 3/4 |        |   | ● | ● |
| 10 | 1   |        |   |   | ● |

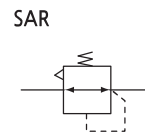
⑥ Accessory(Optional)

- Nil - None Bracket / None Gauge
- B - Bracket
- G - Gauge

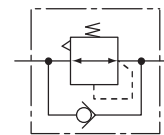
|    |                      |
|----|----------------------|
| G  | Round type           |
| Gs | Square embedded type |

K - With backflow function

### Symbol



SAR with backflow function



### Specification

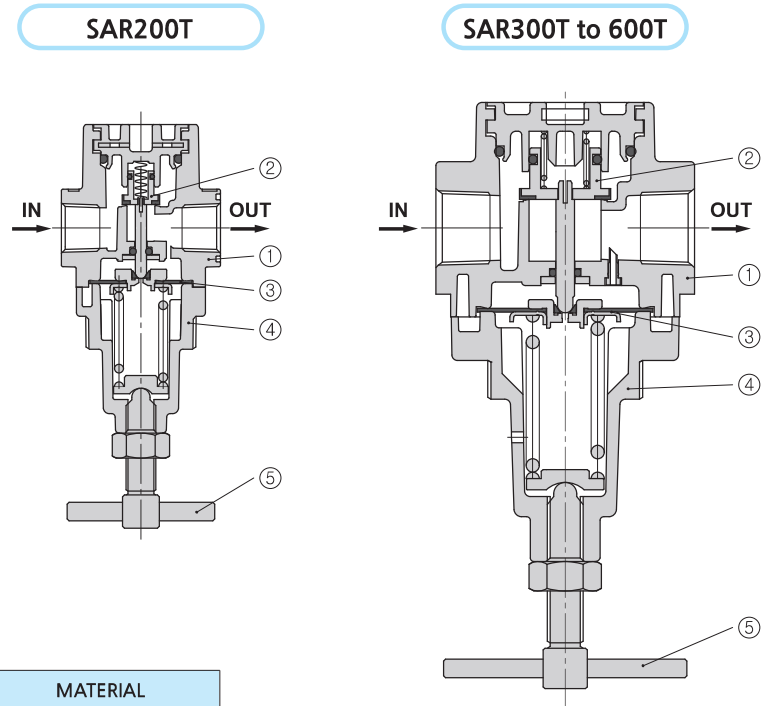
|                         |                           |         |         |         |
|-------------------------|---------------------------|---------|---------|---------|
| Fluid                   | Compressed Air            |         |         |         |
| Max. operating pressure | 10bar (1.0MPa)            |         |         |         |
| Max. supply pressure    | 15bar (1.5MPa)            |         |         |         |
| Ambient and Media temp. | -5 ~ 60°C (No freezing)   |         |         |         |
| Regulating range        | 0.5~8.5bar (0.05~0.85MPa) |         |         |         |
| Gauge port              | SAR200T                   | SAR300T | SAR400T | SAR600T |
|                         |                           | 1/8     |         | 1/4     |
| Construction            | Relief type               |         |         |         |

### Precautions

- ① Set the outlet pressure range for the regulator in a range that is 85% or less of the inlet pressure. If set above 85%, the inlet pressure will be easily effected by fluctuations in the flow rate and inlet pressure, and will become unstable.
- ② To set the pressure using the knob, turn the knob in the direction that increases pressure and lock the knob after the pressure is set. If this is done in the direction that decreases pressure, the pressure may drop from the original set pressure. Turning the knob clockwise increases the outlet pressure, and turning it counterclockwise reduces the pressure.
- ③ Please contact SKP when a circuit requires the use of a regulator having relief sensitivity with high precision and setting accuracy.
- ④ Residual pressure release (outlet pressure release) is not complete by releasing the inlet pressure. To release residual pressure, select a model with a back flow mechanism.

# Air Regulator with T-type Handle

## STRUCTURE / PARTS



### Component Parts

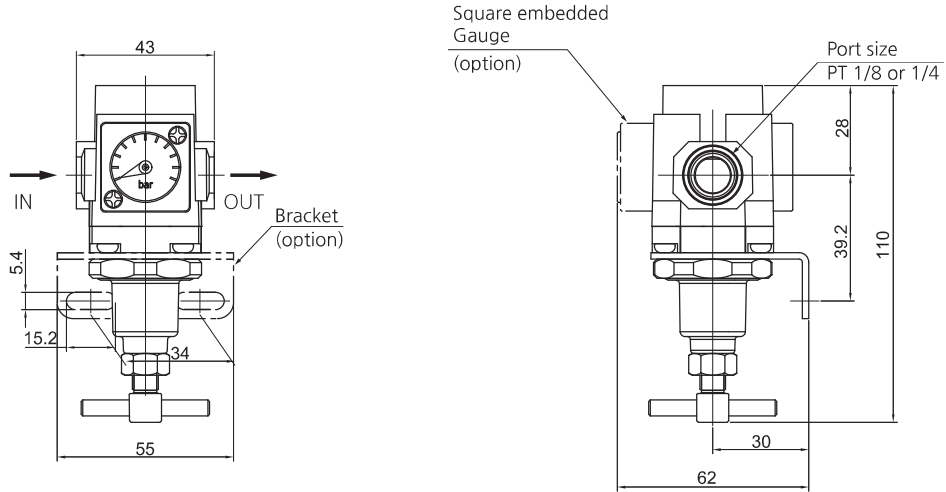
| No. | PARTS             | MATERIAL   |
|-----|-------------------|------------|
| ①   | Body              | ALDC       |
| ②   | Check valve Ass'y | Brass, NBR |
| ③   | Diaphragm Ass'y   | NBR        |
| ④   | Cover             | ALDC       |
| ⑤   | Handle            | Steel      |

# Series SAR100T~600T

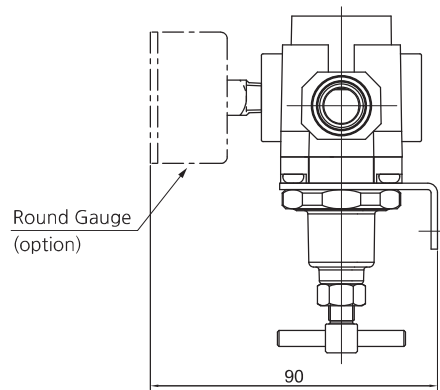
## DIMENSIONS (mm)




### SAR 200T

- SAR200T-□02□□



- Dimensions of each model with an option attached



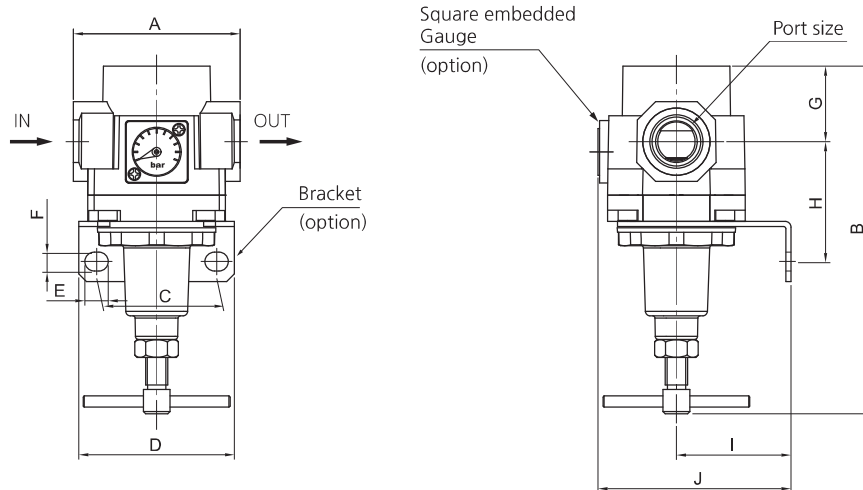
| Option | Gs : Square embedded Gauge  | G : Round type Gauge   | B : Bracket   |
|--------|---|--|---|
| Model  | <br>Gs28 | <br>G40, R1/8 | <br>B220 |

# Air Regulator with T-type Handle

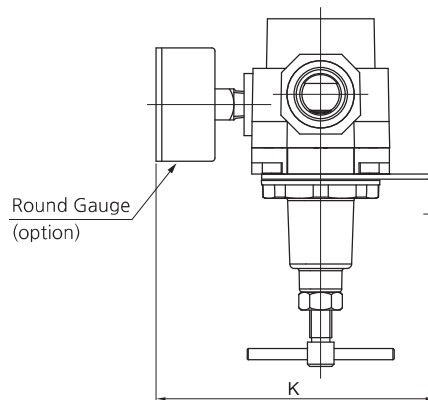
## DIMENSIONS (mm)




### SAR 300T~400T

- SAR300T-□03□□
- SAR400T-□04(06)□□



- Dimensions of each model with an option attached



| Option | G : Square embedded type Gauge  | G : Round type Gauge  | B : Bracket   |
|--------|---|---|---|
| Model  | <br>Gs28 | <br>SAR300 : G40, R1/8<br>SAR400 : G50, R1/4 | <br>SAR300 : B320<br>SAR400 : B420 |

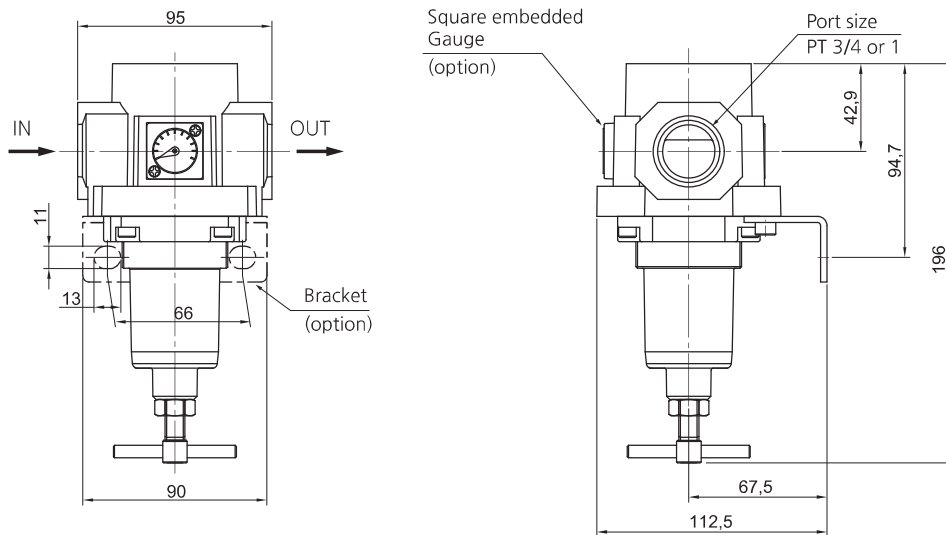
| Model      | Port size  | A  | B   | C  | D  | E    | F   | G    | H    | I  | J  | K   |
|------------|------------|----|-----|----|----|------|-----|------|------|----|----|-----|
| SAR300T-03 | 1/4 or 3/8 | 57 | 150 | 40 | 53 | 8    | 6.5 | 28.4 | 45.7 | 41 | 72 | 107 |
| SAR400T-04 | 1/2        | 75 | 158 | 54 | 70 | 10.5 | 8.5 | 34   | 54   | 50 | 87 | 127 |
| SAR400T-06 | 3/4        | 75 | 160 | 54 | 70 | 10.5 | 8.5 | 34.5 | 55.5 | 50 | 87 | 127 |

# Series SAR100T~600T

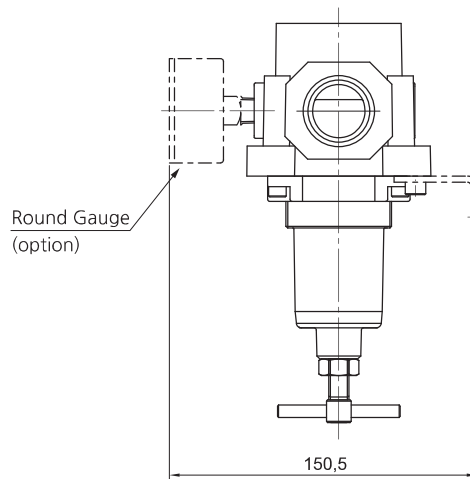
## DIMENSIONS (mm)



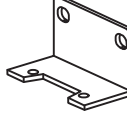
### SAR 600T

- SAR600T-□06□□
- SAR600T-□10□□



- Dimensions of each model with an option attached



| Option | G : Square embedded type Gauge  | G : Round type Gauge   | B : Bracket   |
|--------|---|--|---|
| Model  | <br>Gs28 | <br>G50, R1/4 | <br>B600 |