

Water Separator (SAMG)

SAMG150~850 Series



150-550 series can be combined with other modular equipment.

- SAMG series filter aims at eliminating waterdrops.
- SAMG series eliminate waterdrops up to 99% at the area of inlet of pneumatic machinery equipment and at the last stage of using air in the workroom.
- SAMG series are effective to the place such as
 1. which does not have to be dry as much as air drier.
 2. which is not able to install air drier for its restriction.

How to order

SAMG 350 - 03 BD - MeP - S

① Water Separator

② Body Size

- 150 - 1/8
- 250 - 1/4
- 350 - 1/2
- 450 - 3/4
- 550 - 1
- 650 - 1 1/2
- 850 - 2

③ Thread type

- Nil - Rc(PT)
- N - NPT
- G - G(PF)

④ Port Size

| Symbol | Size | Body size | | | | | | |
|--------|-------|-----------|-----|-----|-----|-----|-----|-----|
| | | 150 | 250 | 350 | 450 | 550 | 650 | 850 |
| 01 | 1/8 | ● | | | | | | |
| 02 | 1/4 | ● | ● | | | | | |
| 03 | 3/8 | | ● | ● | | | | |
| 04 | 1/2 | | | ● | | | | |
| 06 | 3/4 | | | | ● | ● | | |
| 10 | 1 | | | | | ● | | |
| 12 | 1 1/4 | | | | | | ● | |
| 14 | 1 1/2 | | | | | | ● | ● |
| 20 | 2 | | | | | | | ● |

⑤ Accessory(Optional)

- Nil - None Bracket / Manual Drain
- B - Bracket
- D - Auto Drain

| Symbol | Drain connector | Material |
|--------|-------------------------|----------|
| D | One-touch fitting(Φ6mm) | Acetal |
| Dn | Nipple(PT 1/8) | Brass |

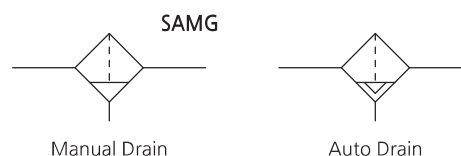
⑥ Bowl

- Nil - Metal bowl with flat type sight glass(MeF)
- PcS - Polycarbonate bowl with Steel guard
- MeP - Metal bowl with pipe type sight glass
Note) 150 and 250 are the integral cover and bowl(MeF type).

⑦ Option

- Nil - None
- S - Differential Pressure Indicator

Symbol



Specification

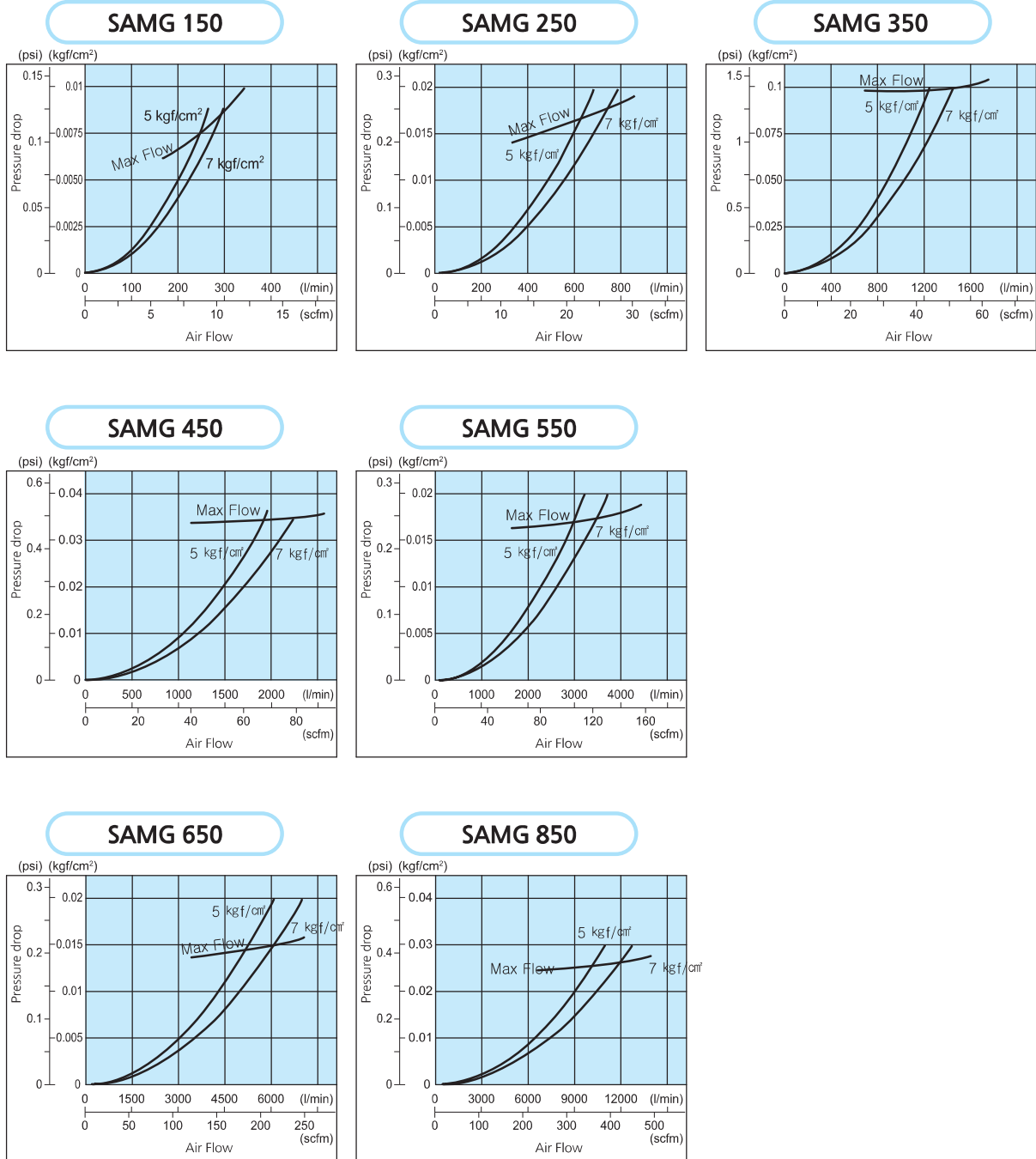
| | |
|-------------------------|------------------------------------|
| Fluid | Compressed Air |
| Max. operating pressure | 10bar (1.0MPa) |
| Min. operating pressure | 1.5bar (0.15MPa) |
| Max. supply pressure | 15bar (1.5MPa) |
| Ambient and Media temp. | 5~60°C |
| Removal rate of water | 99% |
| Life of element | When pressure drop reached at 1bar |

Precautions

- ① Water separator can remove water droplets, but it cannot remove moisture.
- ② Filter element should be changed after 2years of use or when pressure drop reached at 1bar(0.1MPa).
- ③ When auto drain is used, drain piping should be both 4mm or greater in diameter and less than 1m in length. Avoid installing drain piping upwards.
- ④ When auto drain is used it is recommended to use at least 1.5bar pressure.
- ⑤ When auto drain is inoperable, drain manually by pushing the one-touch fitting upward.
- ⑥ Before disassembling the equipment on the compressed air side to inspect the auto drain or to replace the filter element, confirm that the pressure is set to zero.

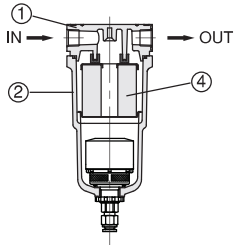
FLOW CHARACTERISTICS

Note : If compressed air is above max. flow, water separator cannot operate well.

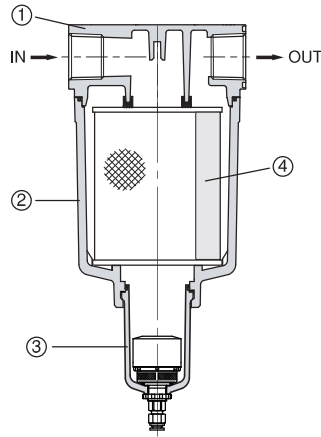


STRUCTURE / PARTS

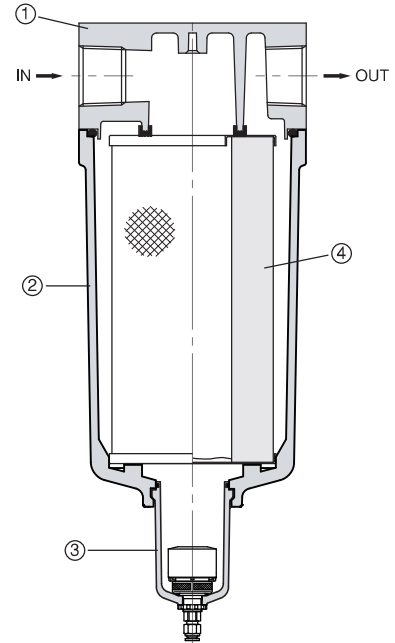
SAMG 150~250



SAMG 350~550



SAMG 650~850



Component Parts

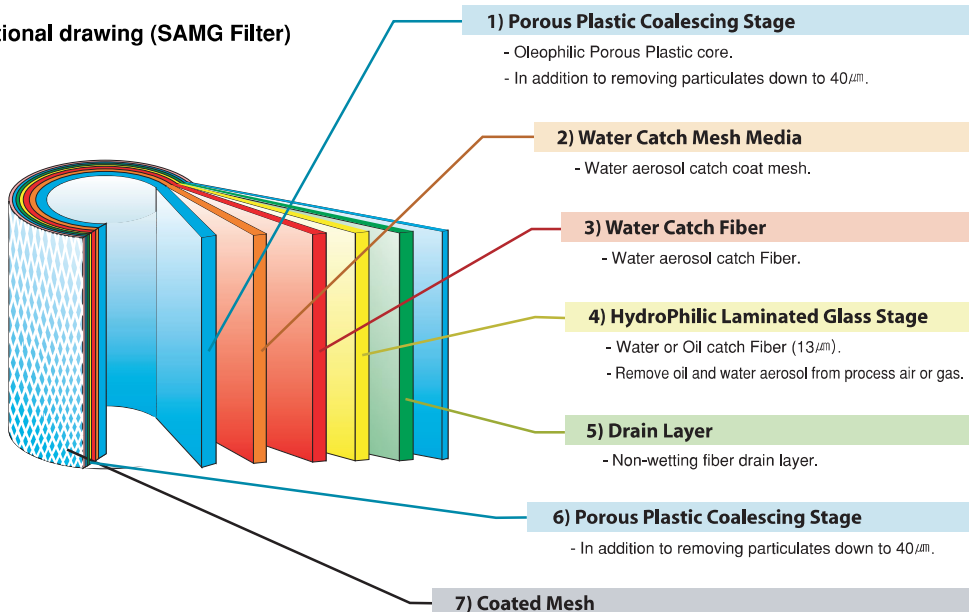
| No. | PARTS | MATERIAL |
|-----|------------|-----------------|
| ① | Body | ALDC |
| ② | Housing | ALDC |
| ③ | Bowl Ass'y | ALDC(MeP type) |
| | | ALDC(MeF type) |

Replacement Parts

(mm)

| No. | PARTS | Part No. & Size(Φ x Height) | | | | | | |
|-----|--------|-----------------------------|-----------|-----------|-----------|-----------|-----------|-----------|
| | | AMG-EL150 | AMG-EL250 | AMG-EL350 | AMG-EL450 | AMG-EL550 | AMG-EL650 | AMG-EL850 |
| ④ | Filter | 45 x 42 | 58 x 52.5 | 70 x 77 | 82 x 87 | 95 x 117 | 122 x 144 | 130 x 260 |

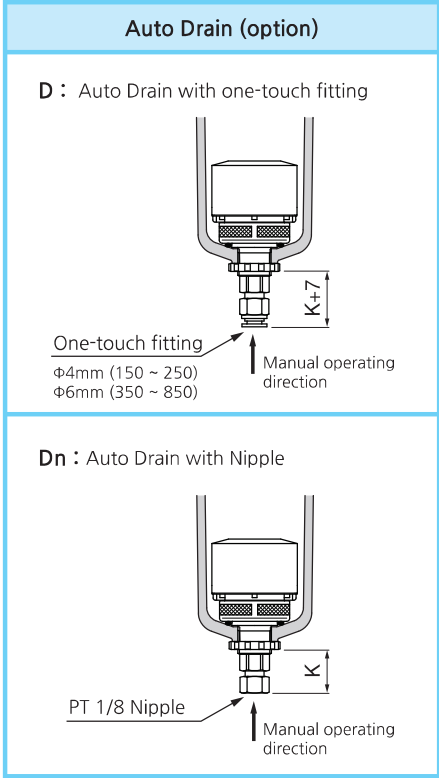
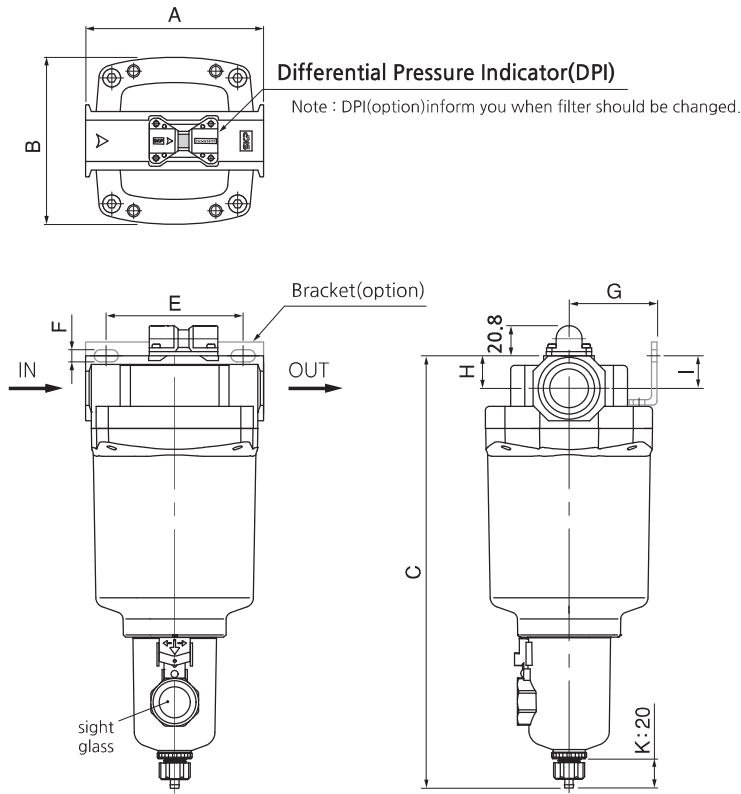
Sectional drawing (SAMG Filter)



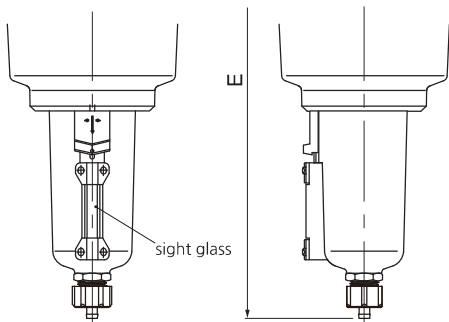
Series SAMG

DIMENSIONS (mm)

SAMG 150~550



- MeP - Metal Bowl with pipe type sight glass

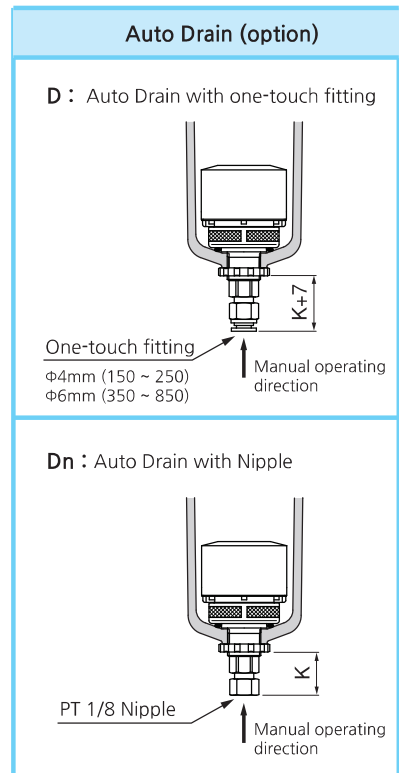
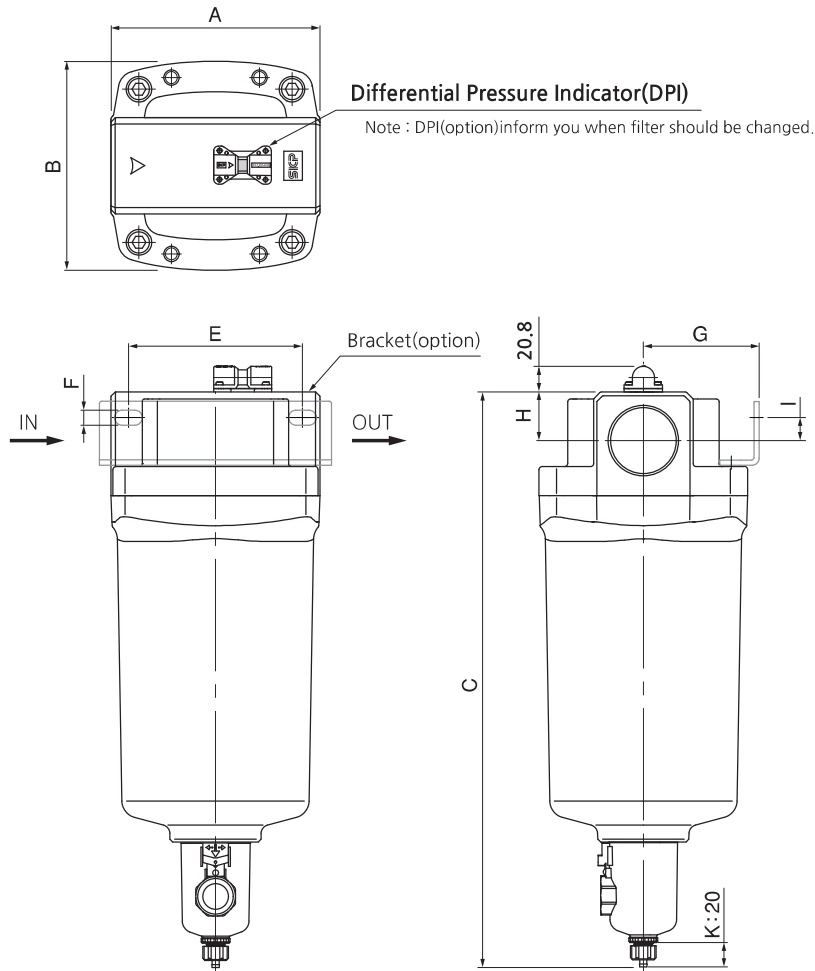


Note : 150 and 250 are the integral cover and bowl(MeF type)

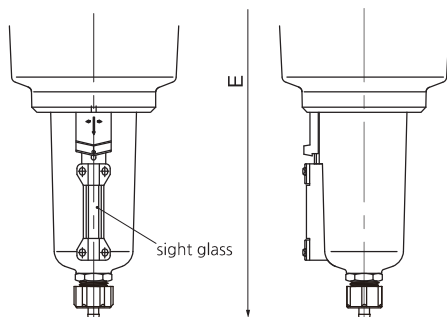
| Model | Port size | A | B | Height(manual drain) | | E | F | G | H | I |
|----------|-----------|-----|-----|----------------------|--------|-----|-----|------|------|------|
| | | | | C(MeF) | D(MeP) | | | | | |
| SAMG 150 | 1/8, 1/4 | 67 | 66 | 158.5 | - | 56 | 6 | 33.6 | 10.5 | 19.7 |
| SAMG 250 | 1/4, 3/8 | 82 | 76 | 177.7 | - | 66 | 6 | 39.5 | 14 | 13.5 |
| SAMG 350 | 3/8, 1/2 | 98 | 90 | 253 | 273 | 80 | 7 | 49.8 | 17.9 | 15.9 |
| SAMG 450 | 3/4 | 114 | 106 | 271.3 | 291.3 | 90 | 9 | 56.2 | 19.8 | 15.3 |
| SAMG 550 | 3/4, 1 | 130 | 122 | 311.2 | 331.2 | 100 | 8.8 | 64.5 | 23.7 | 21 |

DIMENSIONS (mm)

SAMG 650~850



- MeP - Metal Bowl with pipe type sight glass



| Model | Port size | A | B | Height(manual drain) | | E | F | G | H | I |
|----------|--------------|-----|-----|----------------------|--------|-----|----|-----|----|----|
| | | | | C(MeF) | D(MeP) | | | | | |
| SAMG 650 | 1 1/4, 1 1/2 | 160 | 160 | 361.2 | 381.2 | 150 | 13 | 93 | 32 | 27 |
| SAMG 850 | 1 1/2, 2 | 180 | 180 | 490.7 | 510.7 | 150 | 13 | 100 | 42 | 20 |