

Large Flow Air Lubricator (SAL)

SAL800~900 Series



SAL900

How to order

SAL 8 00 - 14 B - MeP

① Air Lubricator

② **Body Size**
8 - 1 1/4, 1 1/2
9 - 2

③ **Thread type**
Nil - Rc(PT)
N - NPT
G - G(PF)

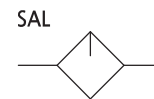
④ **Port Size**

Symbol	Size	Body size	
		8	9
12	1 1/4	●	
14	1 1/2	●	
20	2		●

⑤ **Accessory(Optional)**
Nil - None Bracket
B - Bracket

⑥ **Bowl**
PcS - Polycarbonate bowl with Steel guard
MeP - Metal bowl with pipe type sight glass

Symbol



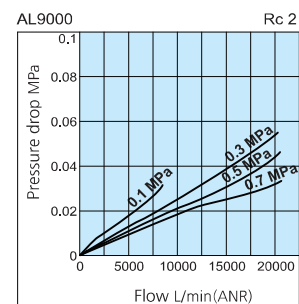
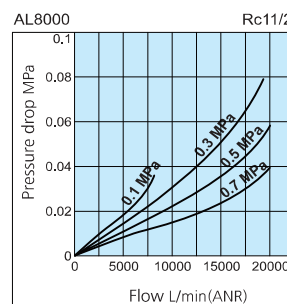
Specification

Port size	SAL800	1 1/4, 1 1/2
	SAL900	2
Fluid	Compressed Air	
Max. operating pressure	10bar (1.0MPa)	
Max. supply pressure	15bar (1.5MPa)	
Ambient and Media temp.	-5 ~ 60°C (No freezing)	
Recommended oil	Turbin oil (ISO VG32)	
Bowl material	Poly-carbonate (option: ALDC)	

Precautions

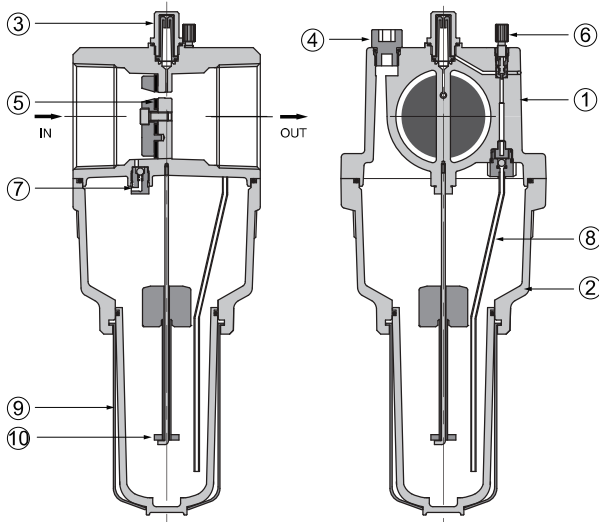
- Do not use Poly-carbonate bowls in an environment where they are exposed to or come in contact with organic solvents, chemicals, cutting oil, synthetic oil, alkali, and thread lock solutions.
- Do not introduce air from the outlet side as this can damage the damper.
- Adjustment of the oil regulating valve should be carried out manually. Turning it counterclockwise increases the dripping amount, and turning it clockwise reduces the dripping amount.
- Check the usage rate once a day. If the lubricant is not normally consumed, problems may occur to the lubricated objects.

Flow Characteristics



Series SAL800~900

STRUCTURE / PARTS



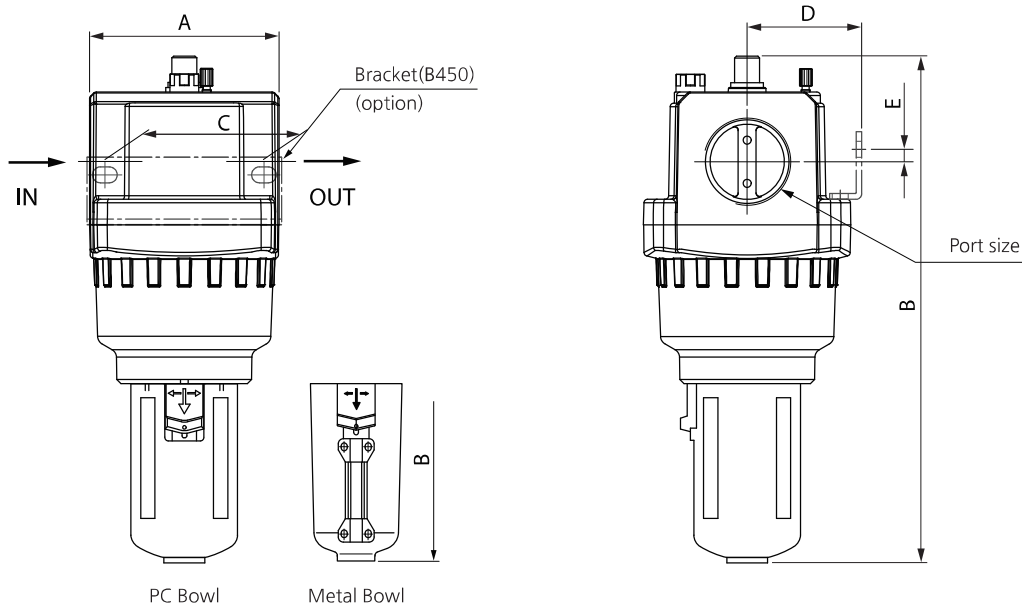
Component Parts

No.	PARTS	MATERIAL
①	Body	ALDC
②	Cover	ALDC

Replacement Parts

No.	PARTS	MATERIAL
③	Oil cap	Nylon
④	Lubrication plug	N66G
⑤	Bumper Ass'y	NBR
⑥	Throttle screw	Bs
⑦	Check valve Ass'y	Brass
⑧	Siphon tube Ass'y	Cu
⑨	Bowl Ass'y	PC
⑩	Oil level	POM

DIMENSIONS (mm)



Model	Port size	A	B		C	D	E
			PC	Metal			
SAL800	1 1/4, 1 1/2	116	286	284	90	64	6.8
SAL900	2	116	286	284	90	64	6.8