

Mist Separator (SAFM) Micro Mist Separator (SAFD)

SAFM200~400 Series
SAFD200~400 Series

- Series SAFM Nominal filtration rating: 0.1 μm.
- Series SAFD Nominal filtration rating: 0.01 μm.



SAFM200



SAFD200

How to order

SAFM 3 00 - 03 BD - MeP
Mist Separator

SAFD 3 00 - 03 BD - MeP
Micro Mist Separator

① Body Size

- 2 - 1/4
- 3 - 3/8
- 4 - 1/2, 3/4

② Thread type

- Nil - Rc(PT)
- N - NPT
- G - G(PF)

③ Port Size

기호	사이즈	물체 사이즈		
		2	3	4
01	1/8	●		
02	1/4	●	●	
03	3/8		●	
04	1/2			●
06	3/4			●

④ Accessory(Optional)

- Nil - None Bracket / Manual Drain
- B - Bracket
- D - Auto Drain

Symbol	Description	Body		
		2	3	4
D	One-touch fitting type	●	●	●
Dn	Nipple(PT1/8) type	-	●	●
Df	SAFM, SAFD200 Float type	●	-	-

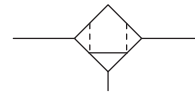
※ 1. SAFM, SAFD200 are differential pressure type.
2. SAFM, SAFD300~400 are float type.

⑤ Bowl

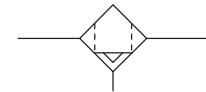
- Nil - Polycarbonate bowl with Nylon guard
- PcS - Polycarbonate bowl with Steel guard
- MeP - Metal bowl with pipe type sight glass

Symbol

SAFM
SAFD



with autodrain SAFM
with autodrain SAFD



Specification

Fluid	Compressed Air	
Max. operating pressure	10bar (1.0MPa)	
Min. operating pressure	0.5bar (0.05MPa)	
Max. supply pressure	15bar (1.5MPa)	
Ambient and Media temp.	-5 ~ 60°C (No freezing)	
Filtration	SAFM	0.1μm
	SAFD	0.01μm
Bowl Material	Poly-carbonate (option: ALDC)	
Bowl Guard material	Nylon	

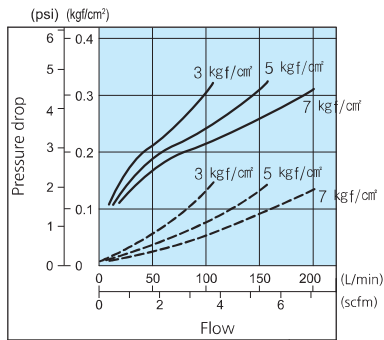
Precautions

- ① Do not use Poly-carbonate bowls in an environment where they are exposed to or come in contact with organic solvents, chemicals, cutting oil, synthetic oil, alkali, and thread lock solutions.
- ② Components with a bowl must be installed vertically with the bowl downward so that faulty drain discharge and dripping can be verified.
- ③ When auto drain is used, drain piping should be both 4mm or greater in diameter and less than 1m in length. Avoid installing drain piping upwards.
- ④ When auto drain is used it is recommended to use at least 1.5bar pressure.
- ⑤ When auto drain is inoperable, drain manually by pushing the one-touch fitting upward.
- ⑥ Before disassembling the equipment on the compressed air side to inspect the auto drain or to replace the filter element, confirm that the pressure is set to zero.

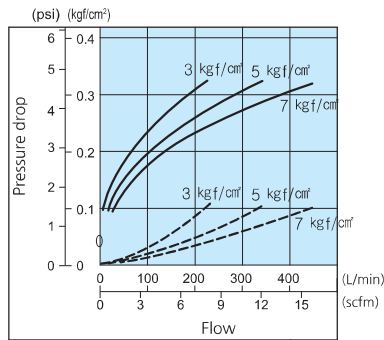
FLOW CHARACTERISTICS

(— Element oil saturation - - - - Initial condition)

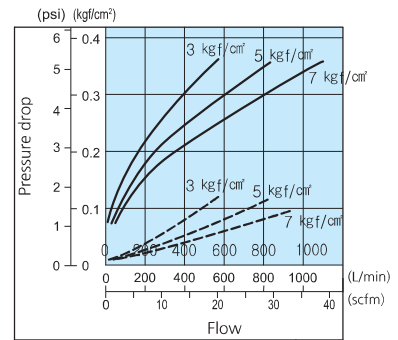
SAFM 200



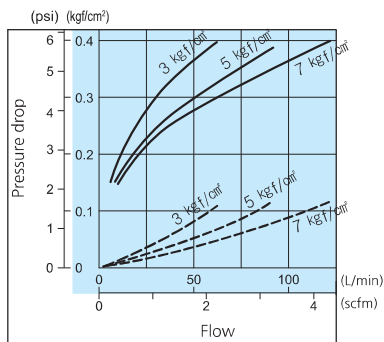
SAFM 300



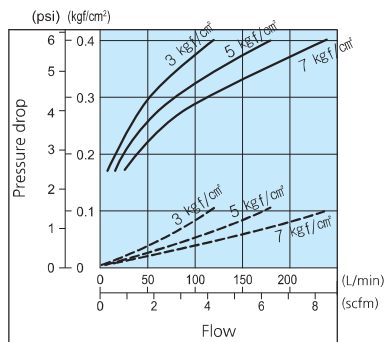
SAFM 400



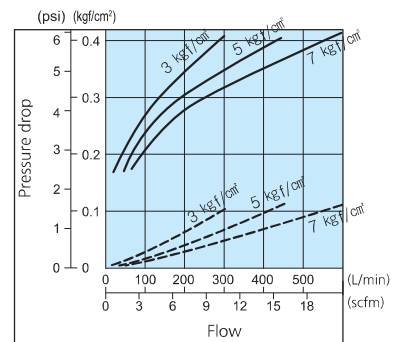
SAFD 200



SAFD 300

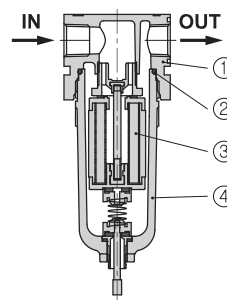


SAFD 400

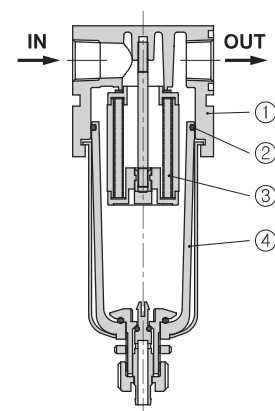


STRUCTURE / PARTS

SAFM 200 SAFD 200



SAFM 300 to 400 SAFD 300 to 400



Component Parts

No.	PARTS	MATERIAL
①	Body	ALDC
④	Bowl Ass'y ¹⁾	PC & Nylon

Note : 1. Bowl Ass'y comes with a bowl guard (steel band material).

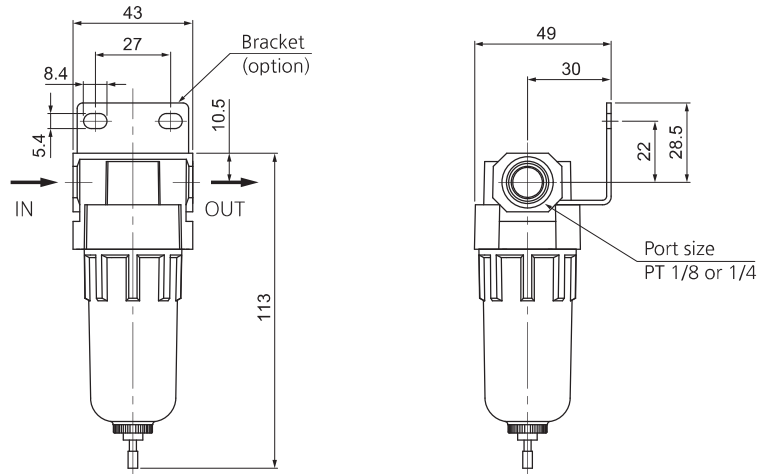
Replacement Parts

No.	PARTS	MATERIAL	Part no.					
			SAFM200	SAFD200	SAFM300	SAFD300	SAFM400	SAFD400
②	O-ring	NBR	U024		38x2		U137	
③	Filter	-	FM200-EL	FD200-EL	FM300-EL	FD300-EL	FM400-EL	FD400-EL

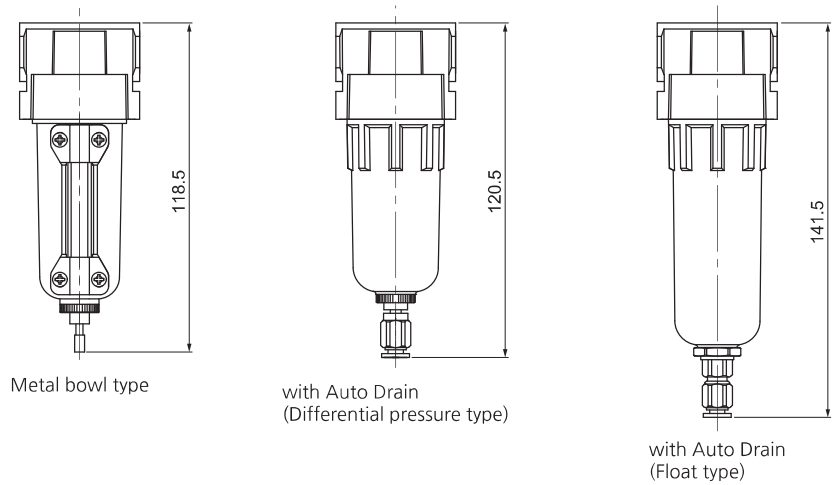
DIMENSIONS (mm)

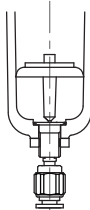
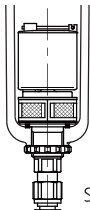
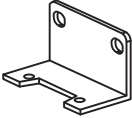
SAFM(SAFD) 200

- SAFM(SAFD) 200-□02□□



- Dimensions of each model with an option attached

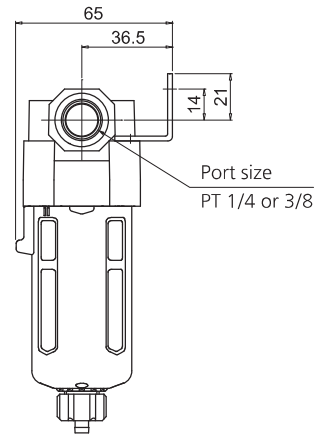
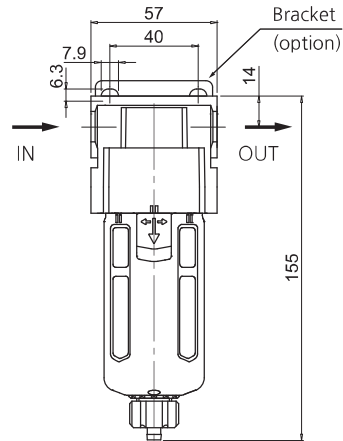


Option	Auto Drain		B : Bracket
	D : Differential pressure type	Df : Float type	
Model		 SAD200	 B200

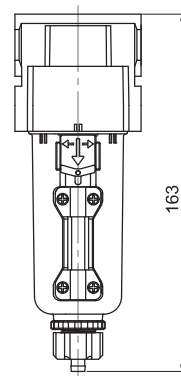
DIMENSIONS (mm)

SAFM(SAFD) 300

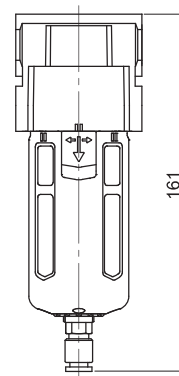
- SAFM(SAFD)300-□03□□



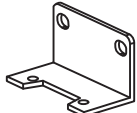
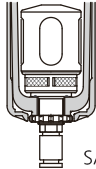
- Dimensions of each model with an option attached



Metal bowl type



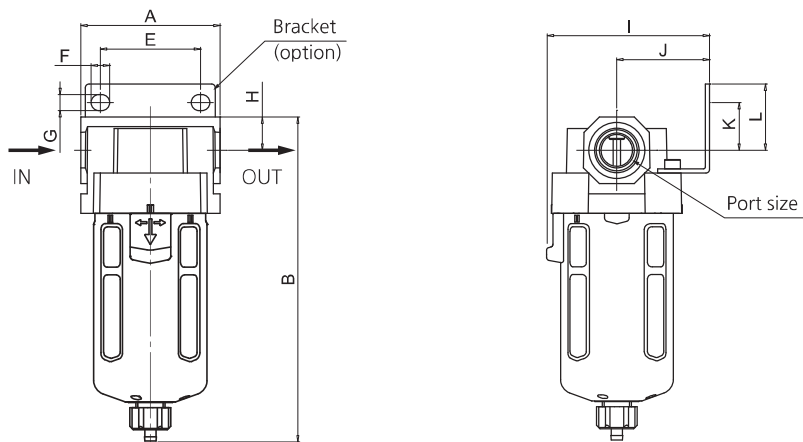
with Auto drain

Option	B : Bracket	D : Auto Drain
Model	 B300	 SAD300

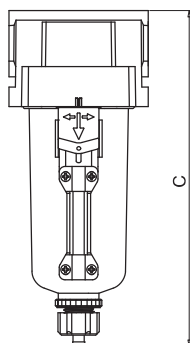
DIMENSIONS (mm)

SAFM(SAFD) 400

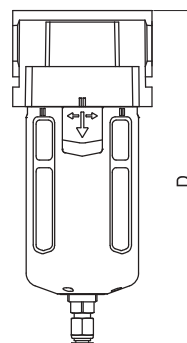
- SAFM(SAFD)400-□04□□
SAFM(SAFD)400-□06□□



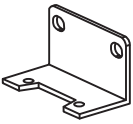
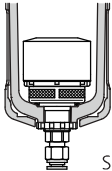
- Dimensions of each model with an option attached



Metal bowl type



with Auto drain

Option	B : Bracket	D : Auto Drain
Model	 B400	 SAD400

Model	Port size	A	B	C	D	E	F	G	H	I	J	K	L
SAFM(SAFD)400-04	1/2	75	174	179	181	54	10	8.5	17.9	85	50	25.7	35.7
SAFM(SAFD)400-06	3/4	75	178	183	185	54	10	8.5	19.8	85	50	25.1	35.1