

Main Line Filter (SAFL)

SAFL150~850 Series



150-550 series can be combined with other modular equipment.

- SAFL series installed in the main line improve the function of later drier, prolong the expected life span of precision filter and prevent the troubles of machinery by eliminating the impurities such as moisture, oil, other foreign substances from the compressed air.

How to order

SAFL 350 - 03 BD - MeP - S

① Main Line Filter

- ② **Body Size**
- 150 - 1/8
 - 250 - 1/4
 - 350 - 1/2
 - 450 - 3/4
 - 550 - 1
 - 650 - 1 1/2
 - 850 - 2

- ③ **Thread type**
- Nil - Rc(PT)
 - N - NPT
 - G - G(PF)

④ **Port Size**

Symbol	Size	Body size						
		150	250	350	450	550	650	850
01	1/8	●						
02	1/4	●	●					
03	3/8		●	●				
04	1/2			●				
06	3/4				●	●		
10	1					●		
12	1 1/4						●	
14	1 1/2						●	●
20	2							●

- ⑤ **Accessory(Optional)**
- Nil - None Bracket / Manual Drain
 - B - Bracket
 - D - Auto Drain

Symbol	Drain connector	Material
D	One-touch fitting(Φ6mm)	Acetal
Dn	Nipple(PT 1/8)	Brass

- ⑥ **Bowl**
- Nil - Metal bowl with flat type sight glass(MeF)
 - PcS - Polycarbonate bowl with Steel guard
 - MeP - Metal bowl with pipe type sight glass
- Note) 150 and 250 are the integral cover and bowl(MeF type).

- ⑦ **Option**
- Nil - None
 - S - Differential Pressure Indicator

Symbol



Specification

Fluid	Compressed Air
Max. operating pressure	10bar (1.0MPa)
Min. operating pressure	1.5bar (0.15MPa)
Max. supply pressure	15bar (1.5MPa)
Ambient and Media temp.	5 ~ 60°C
Filtration	1μm (Filtration efficiency: 99%)
Life of element	When pressure drop reached at 1bar

Precautions

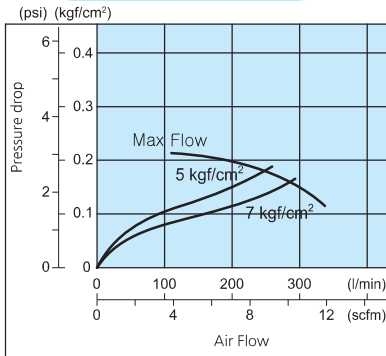
- Filter element should be changed after 2years of use or when pressure drop reached at 1bar(0.1MPa).
- When auto drain is used, drain piping should be both 4mm or greater in diameter and less than 1m in length. Avoid installing drain piping upwards.
- When auto drain is used it is recommended to use at least 1.5bar pressure.
- When auto drain is inoperable, drain manually by pushing the one-touch fitting upward.
- Before disassembling the equipment on the compressed air side to inspect the auto drain or to replace the filter element, confirm that the pressure is set to zero.
- Please consult with SKP when using the product in applications other than compressed air.

FLOW CHARACTERISTICS

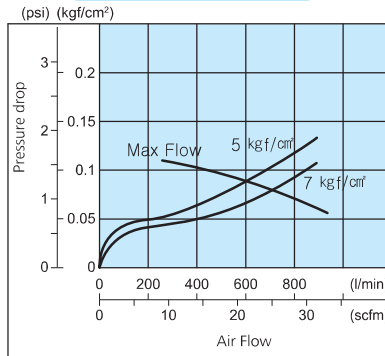
Oil saturated state of element

Note : If compressed air is above max. flow, main line filter cannot be operated well or element may be damaged.

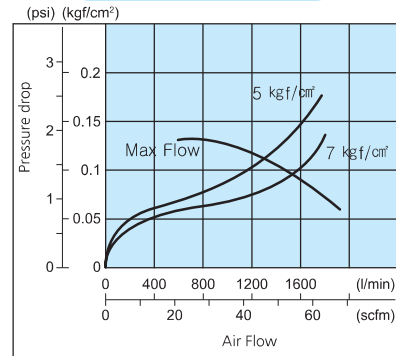
SAFL 150



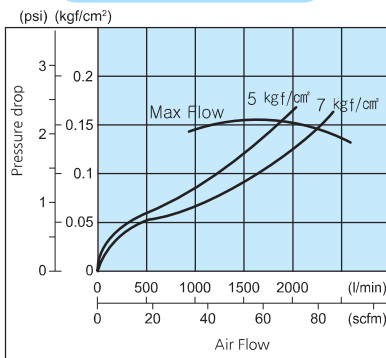
SAFL 250



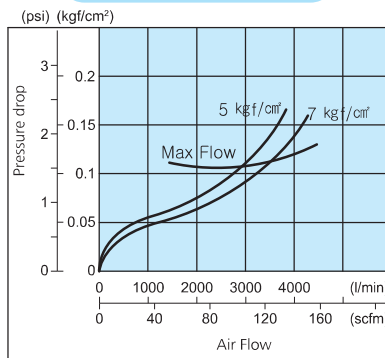
SAFL 350



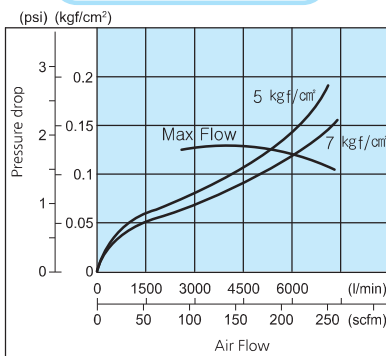
SAFL 450



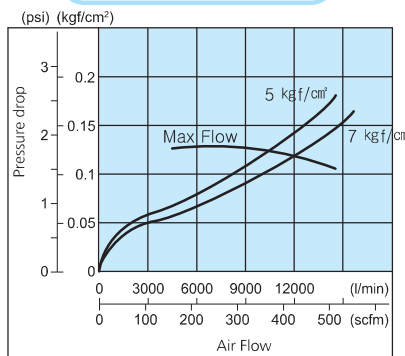
SAFL 550



SAFL 650

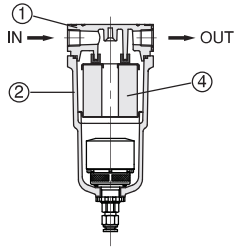


SAFL 850

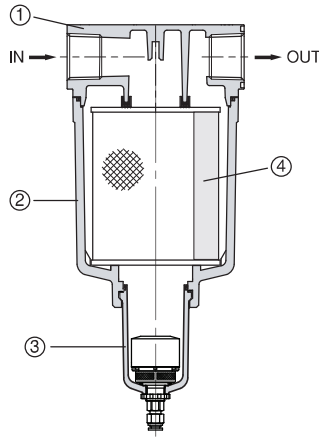


STRUCTURE / PARTS

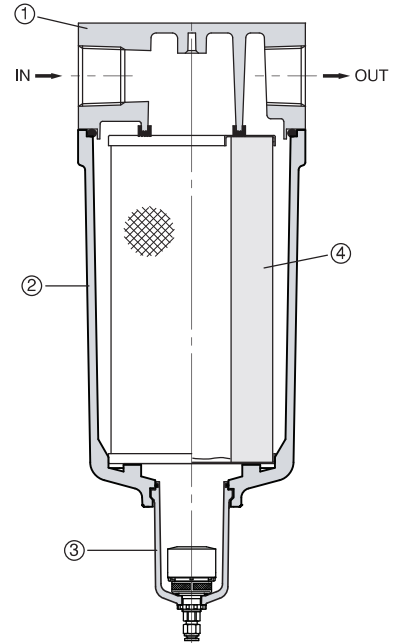
SAFL 150~250



SAFL 350~550



SAFL 650~850



Component Parts

No.	PARTS	MATERIAL
①	Body	ALDC
②	Housing	ALDC
③	Bowl Ass'y	ALDC(MeP type)
		ALDC(MeF type)

Replacement Parts

(mm)

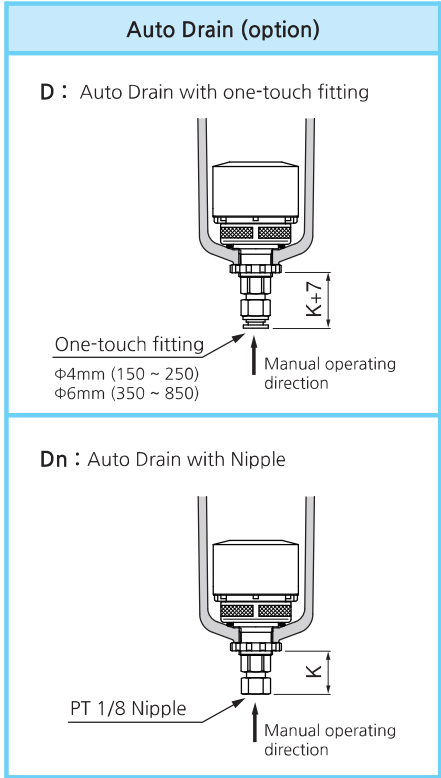
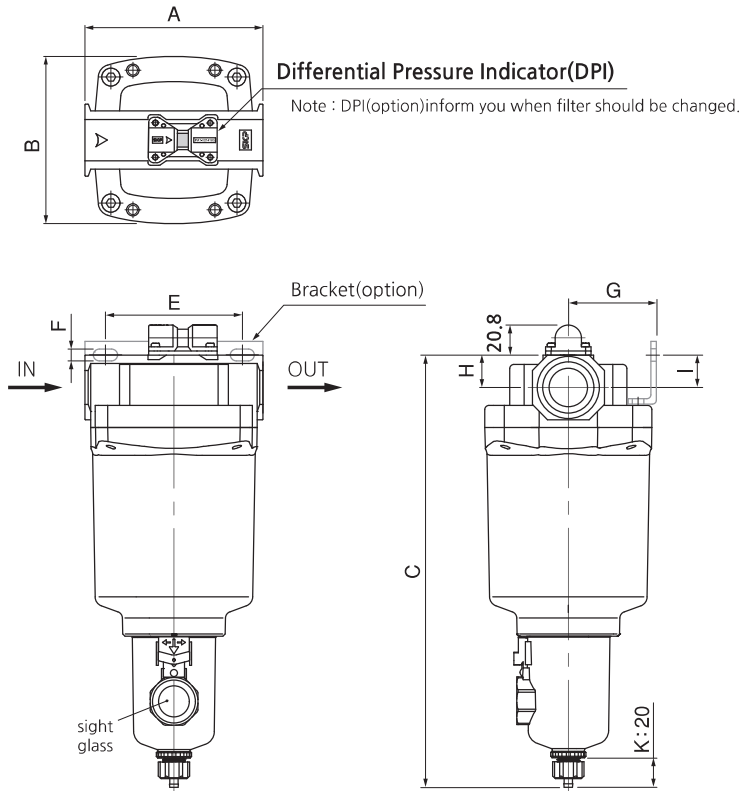
No.	PARTS	Part No. & Size(Φ x Height)						
		AFL-EL150	AFL-EL250	AFL-EL350	AFL-EL450	AFL-EL550	AFL-EL650	AFL-EL850
④	Filter	45 x 42	58 x 52.5	70 x 77	82 x 87	95 x 117	122 x 144	130 x 260

Sectional drawing (SAFL Filter)

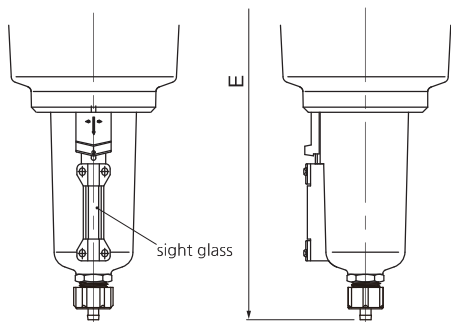
- 1) Porous Plastic Coalescing Stage**
 - Oleophilic Porous Plastic core.
 - In addition to removing particulates down to 40µm.
- 2) Remove Oil Media**
 - 0.3µm remove oil micro fiber media.
 - Coalescing element designed to remove oil and water aerosol from process air or gas.
- 3) Main Media**
 - Three element choices(0.01µm (AMD), 0.1µm (AM), 1µm (AFL)).
 - Pure borosilicate glass micro fiber.
- 4) Drain Layer**
 - Non-wetting fiber drain layer.
- 5) Porous Plastic Coalescing Stage**
 - In addition to removing particulates down to 40µm.
- 6) Coated Mesh**

DIMENSIONS (mm)

SAFL 150~550



- MeP - Metal Bowl with pipe type sight glass



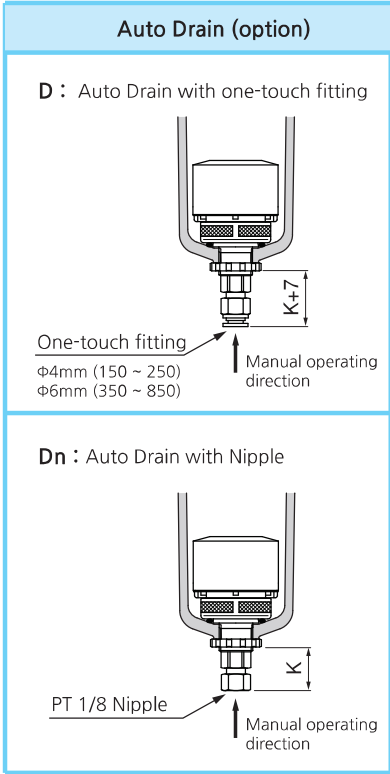
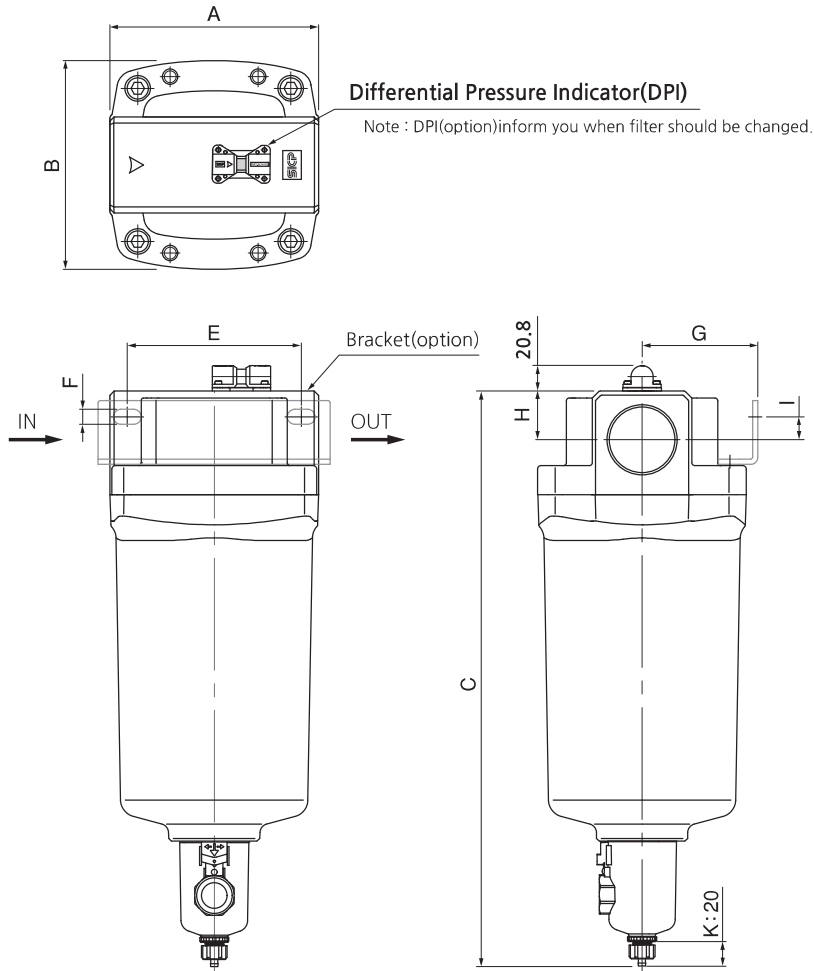
Note : 150 and 250 are the integral cover and bowl(MeF type)

Model	Port size	A	B	Height(manual drain)		E	F	G	H	I
				C(MeF)	D(MeP)					
SAFL 150	1/8, 1/4	67	66	158.5	-	56	6	33.6	10.5	19.7
SAFL 250	1/4, 3/8	82	76	177.7	-	66	6	39.5	14	13.5
SAFL 350	3/8, 1/2	98	90	253	273	80	7	49.8	17.9	15.9
SAFL 450	3/4	114	106	271.3	291.3	90	9	56.2	19.8	15.3
SAFL 550	3/4, 1	130	122	311.2	331.2	100	8.8	64.5	23.7	21

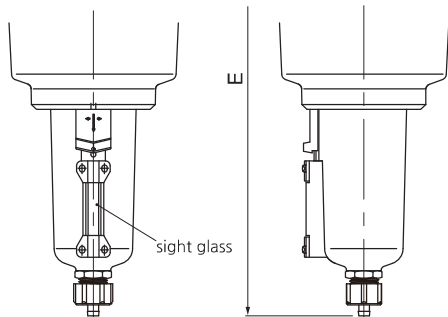
Series SAFL

DIMENSIONS (mm)

SAFL 650~850



- **MeP** - Metal Bowl with pipe type sight glass



Model	Port size	A	B	Height(manual drain)		E	F	G	H	I
				C(MeF)	D(MeP)					
SAFL 650	1 1/4, 1 1/2	160	160	361.2	381.2	150	13	93	32	27
SAFL 850	1 1/2, 2	180	180	490.7	510.7	150	13	100	42	20