

Filter for High Pressure(SAF)

SAF200H~600H Series



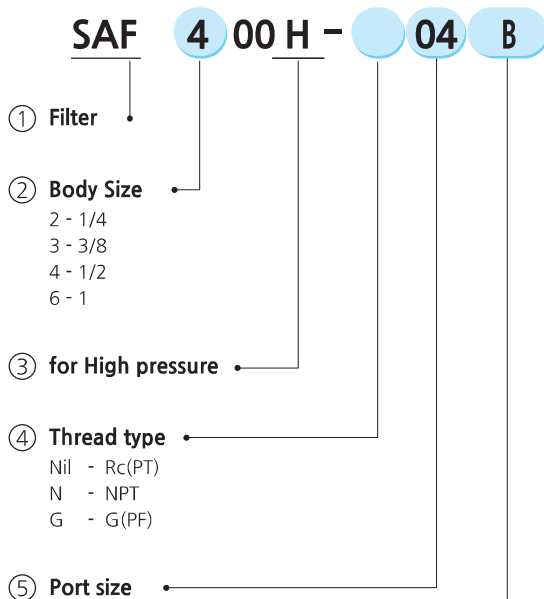
SAF200H

SAF300H

SAF400H

SAF600H

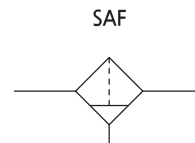
How to order



기호	사이즈	몸체 사이즈			
		2	3	4	6
01	1/8	●			
02	1/4	●	●		
03	3/8		●		
04	1/2			●	
06	3/4			●	●
10	1				●

- ⑥ **Accessory(Optional)**
Nil - None Bracket / Manual Drain / None Gauge
B - Bracket

Symbol



Specification

Fluid	Compressed Air
Max. operating pressure	30bar (3.0MPa)
Max. supply pressure	20bar (2.0MPa)
Ambient and Media temp.	-5~60°C (No freezing)
Filtration	10µm (option: 2, 5, 20, 40)
Bowl material	ALDC

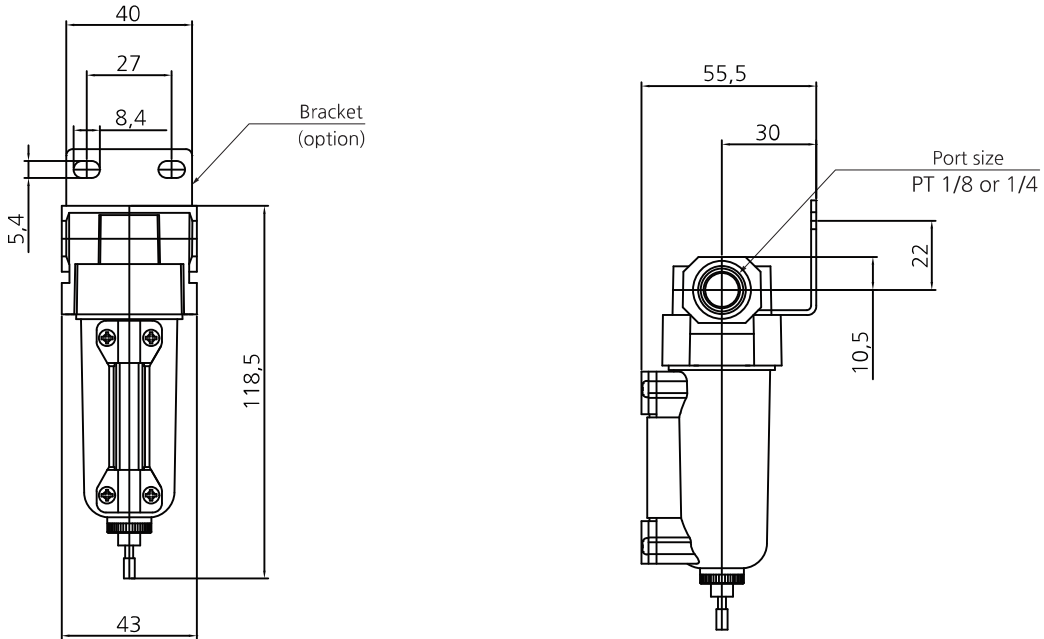
Precautions

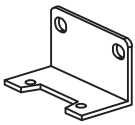
- ① Set the outlet pressure range for the regulator in a range that is 85% or less of the inlet pressure. If set above 85%, the inlet pressure will be easily effected by fluctuations in the flow rate and inlet pressure, and will become unstable.
- ② To set the pressure using the knob, turn the knob in the direction that increases pressure and lock the knob after the pressure is set. If this is done in the direction that decreases pressure, the pressure may drop from the original set pressure. Turning the knob clockwise increases the outlet pressure, and turning it counterclockwise reduces the pressure.
- ③ Please contact SKP when a circuit requires the use of a regulator having relief sensitivity with high precision and setting accuracy.
- ④ Residual pressure release (outlet pressure release) is not complete by releasing the inlet pressure. To release residual pressure, select a model with a back flow mechanism.

DIMENSIONS (mm)

SAF 200H

■ SAF200H-□02□□

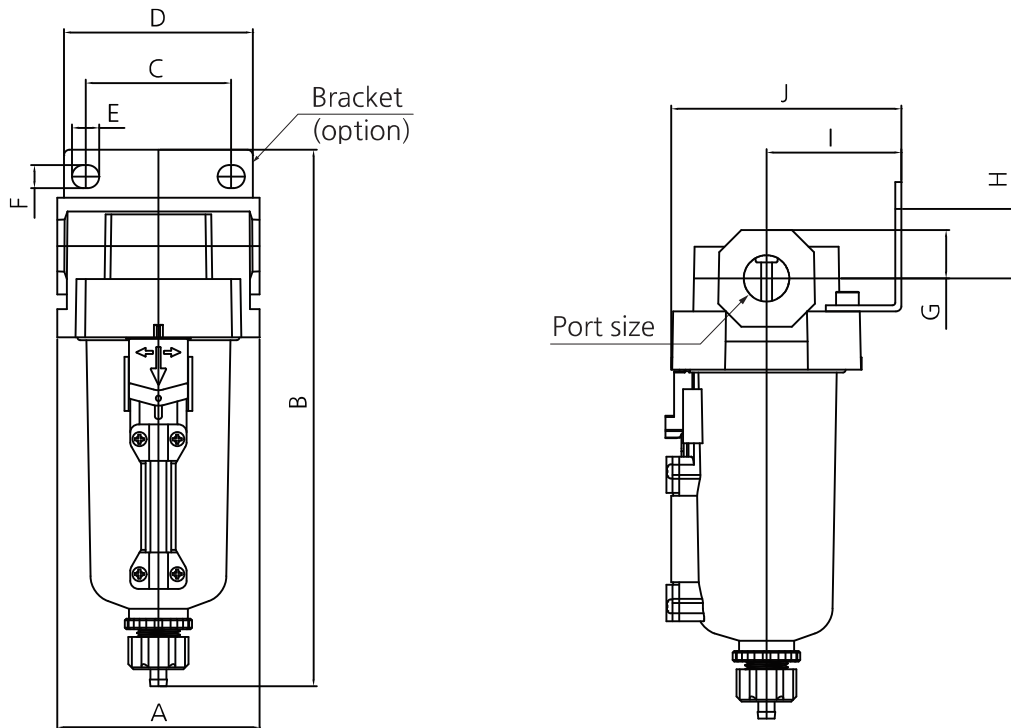


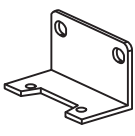
Option	B : Bracket
Model	 <p data-bbox="810 1697 858 1724">B200</p>

DIMENSIONS (mm)

SAF 300H~400H

- SAF300H□-□03□□
- SAF400H□-□04(06)□□



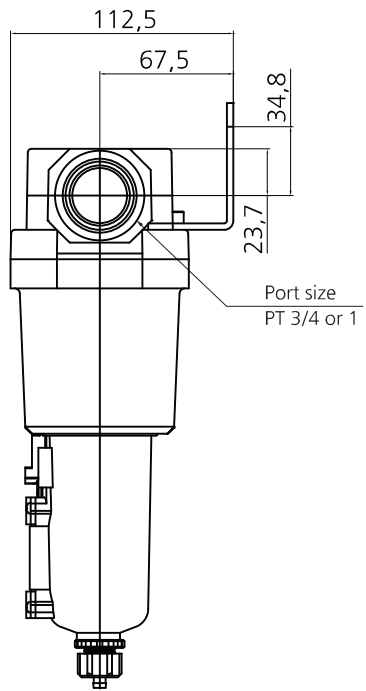
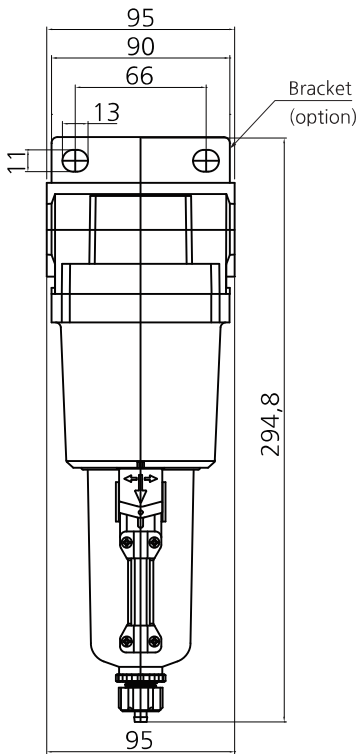
Option	B : Bracket
Model	 SAF300 : B300 SAF400 : B400

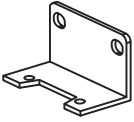
Model	Port size	A	B	C	D	E	F	G	H	I	J
SAF300H-03	1/4, 3/8	57	167.8	40	53	8	6.5	14	21	41	70.7
SAF400H-04	1/2	75	193	54	70	10	8.5	17.9	25.7	50	87.5
SAF400H-06	3/4	75	194.5	54	70	10	8.5	19.8	25	50	87.5

DIMENSIONS (mm)

SAF 600H

- SAF600H□-□06□□
- SAF600H□-□10□□



Option	B : Bracket
Model	 <p>B600</p>