

Air Filter (SAF)

SAF100~600 Series



SAF100

SAF200

SAF300

SAF400

SAF600

How to order

SAF 4 00 - 04 BD - MeP

① Air Filter

② Body Size

- 1 - 1/8
- 2 - 1/4
- 3 - 3/8
- 4 - 1/2, 3/4
- 6 - 1

③ Thread type

- Nil - Rc(PT)
- N - NPT
- G - G(PF)

④ Port Size

Symbol	Size	Body size				
		1	2	3	4	6
M5	M5	●				
01	1/8		●			
02	1/4		●	●		
03	3/8			●		
04	1/2				●	
06	3/4				●	●
10	1					●

⑤ Accessory(Optional)

- Nil - None Bracket / Manual Drain
 - B - Bracket
- Note) SAF100 is no bracket options.
- D - Auto Drain

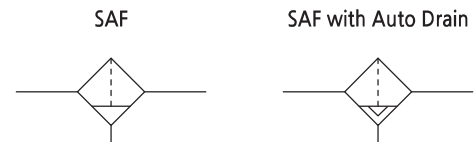
Symbol	Description	Body				
		1	2	3	4	6
D	One-touch fitting type	●	●	●	●	●
Dn	Nipple(PT1/8) type	-	-	●	●	●
Df	SAF200 Float type	-	●	-	-	-

- ※) 1. SAF100 and SAF200 are differential pressure type.
2. SAF300~600 are float type.

⑥ Bowl

- Nil - Polycarbonate bowl with Nylon guard
- PcS - Polycarbonate bowl with Steel guard
- MeP - Metal bowl with pipe type sight glass

Symbol



Specification

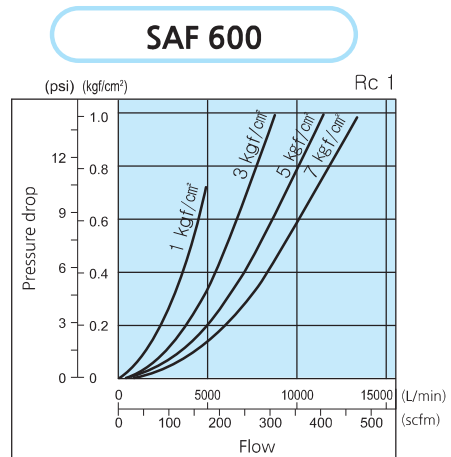
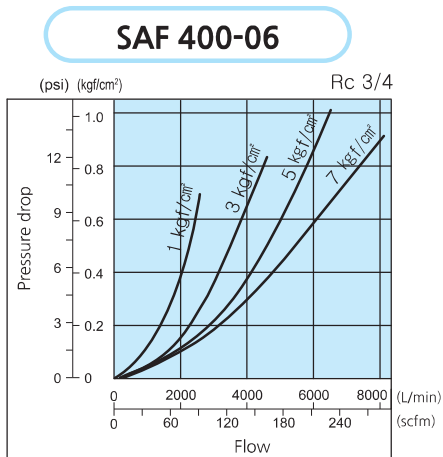
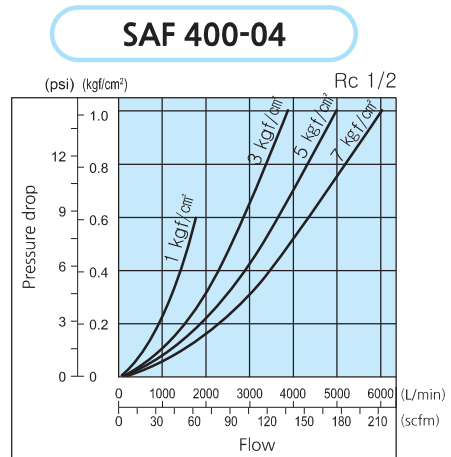
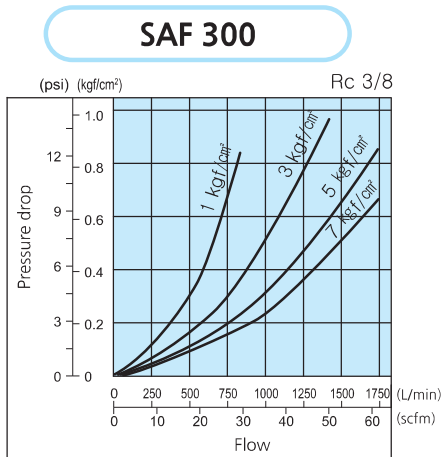
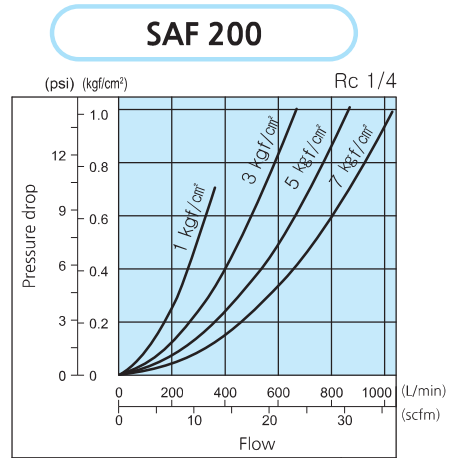
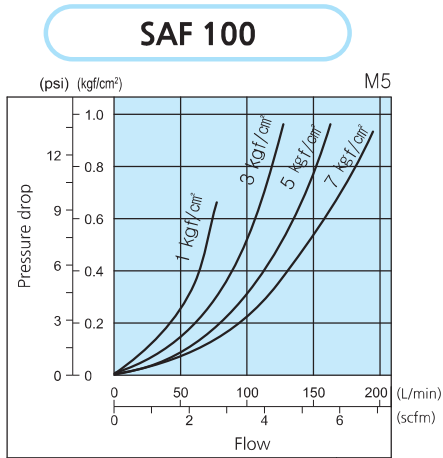
Fluid	Compressed Air
Max. operating pressure	10bar (1.0MPa)
Max. supply pressure	15bar (1.5MPa)
Ambient and Media temp.	-5 ~ 60°C (No freezing)
Filtration	10µm (option: 2, 5, 20, 40)
Bowl Guard Material	Poly-carbonate (option: ALDC)
Bowl material	Nylon

Precautions

- ① Do not use Poly-carbonate bowls in an environment where they are exposed to or come in contact with organic solvents, chemicals, cutting oil, synthetic oil, alkali, and thread lock solutions.
- ② Components with a bowl must be installed vertically with the bowl downward so that faulty drain discharge and dripping can be verified.
- ③ When auto drain is used, drain piping should be both 4mm or greater in diameter and less than 1m in length. Avoid installing drain piping upwards.
- ④ When auto drain is used it is recommended to use at least 1.5bar pressure.
- ⑤ When auto drain is inoperable, drain manually by pushing the one-touch fitting upward.
- ⑥ Before disassembling the equipment on the compressed air side to inspect the auto drain or to replace the filter element, confirm that the pressure is set to zero.

FLOW CHARACTERISTICS

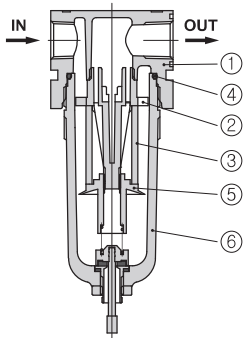
Note : Replace the element every 2 years or when the pressure drop becomes 1bar(0.1Mpa), whichever comes first, to prevent damage to the element.



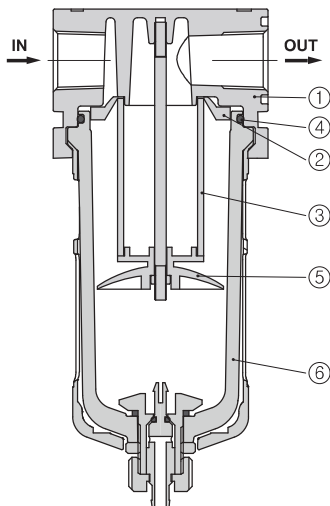
Series SAF100~600

STRUCTURE / PARTS

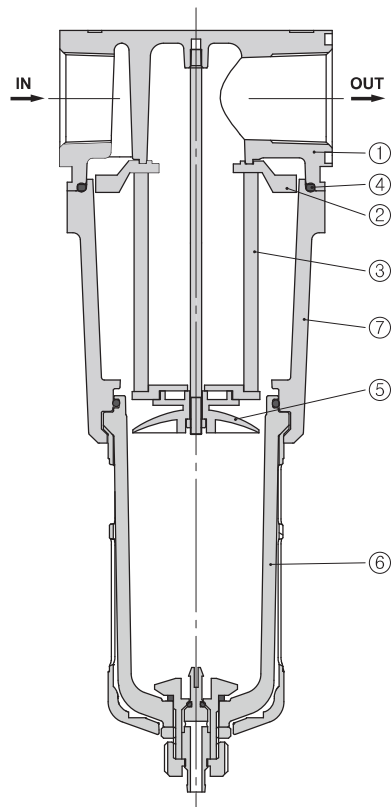
SAF100, SAF200



SAF300, SAF400



SAF600



Component Parts

No.	PARTS	MATERIAL
①	Body	ALDC
②	Impeller	ABS
⑤	Baffle	ABS
⑥	Bowl Ass'y ¹⁾	PC & Nylon
⑦	Housing	ALDC

1) Bowl Ass'y for the SAF300 to SAF600 models comes with a bowl guard (steel band material).

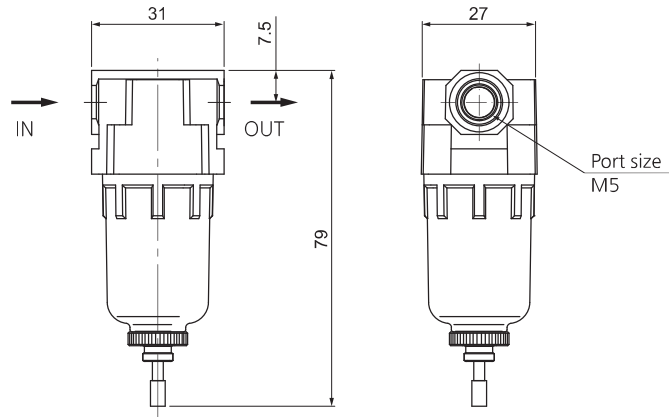
Replacement Parts

No.	PARTS	MATERIAL	Part no.				
			SAF100	SAF200	SAF300	SAF400	SAF600
③	Element	-	F100-EL	F200-EL	F300-EL	F400-EL	F600-EL
④	O-ring	NBR	S22	U024	38x2	U137	U137

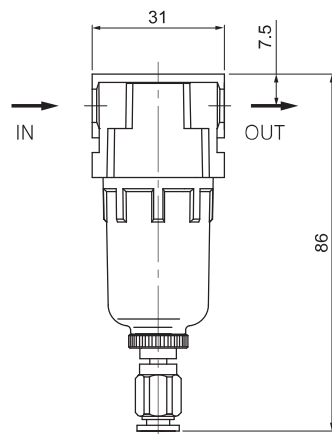
DIMENSIONS (mm)

SAF 100

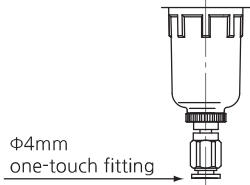
- SAF100-□01(M5)□



- Dimensions of each model with an option attached



with Auto Drain
(Differential pressure type)

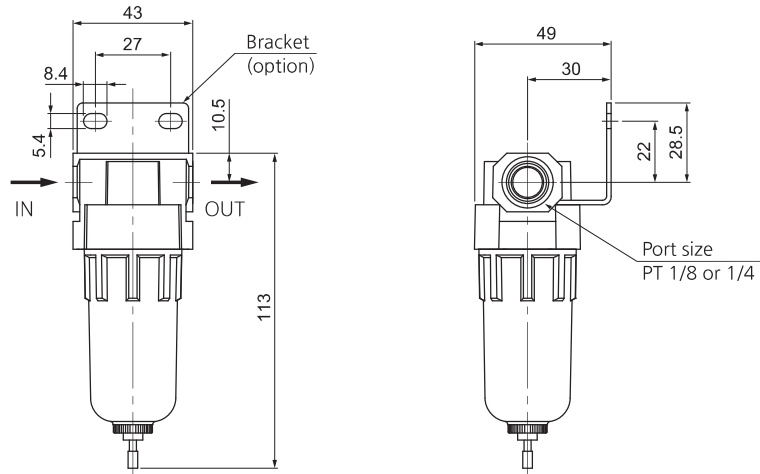
Option	D : Auto Drain (Differential pressure type)
Model	 <p>Φ4mm one-touch fitting</p>

Series SAF100~600

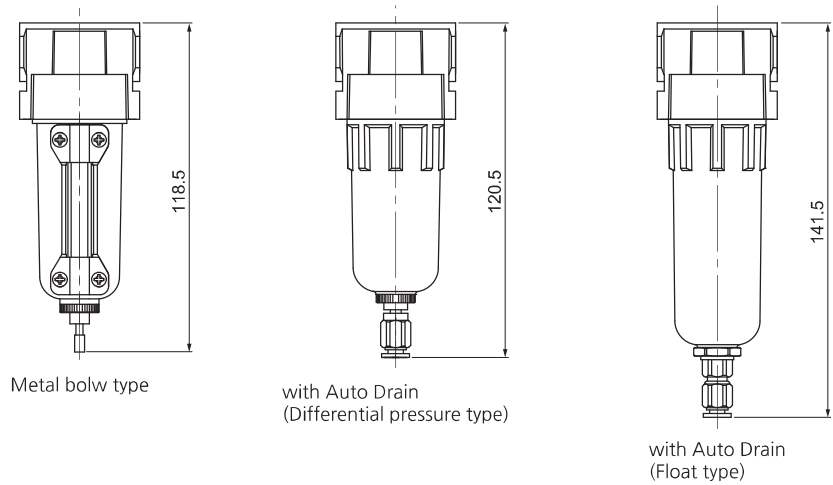
DIMENSIONS (mm)

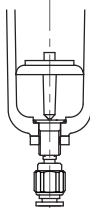
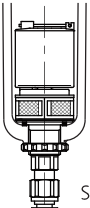
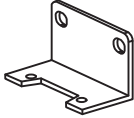
SAF 200

■ SAF200-□02□□



■ Dimensions of each model with an option attached

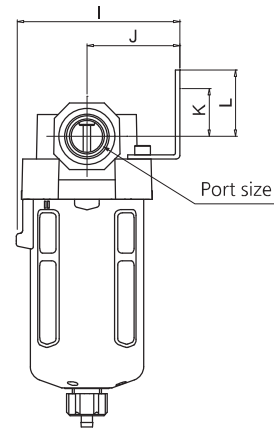
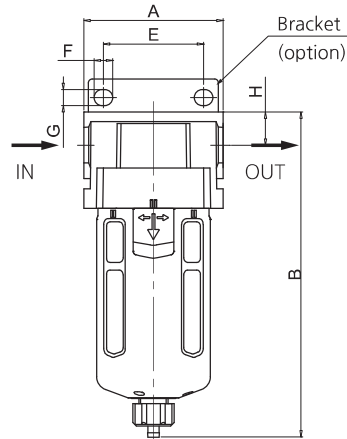


Option	Auto Drain		B : Bracket
	D : Differential pressure type	Df : Float type	
Model		 SAD200	 B200

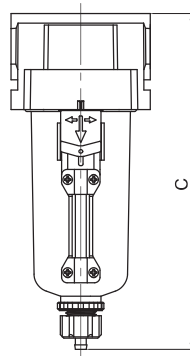
DIMENSIONS (mm)

SAF 300~400

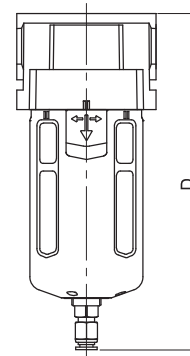
- SAF300-□03□□
- SAF400-□04(06)□□



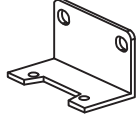
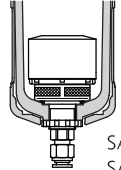
- Dimensions of each model with an option attached



Metal bowl type



with Auto drain

Option	B : Bracket	D : Auto Drain
Model	 <p>SAF300 : B300 SAF400 : B400</p>	 <p>SAF300 : SAD300 SAF400 : SAD400</p>

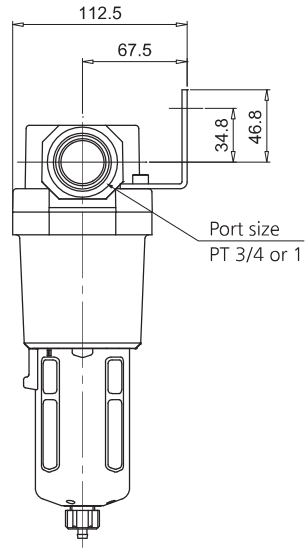
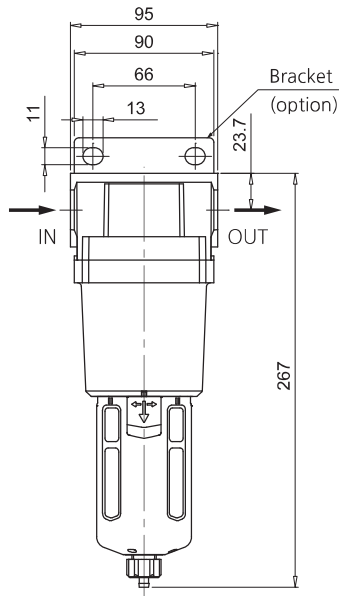
Model	Port size	A	B	C	D	E	F	G	H	I	J	K	L
SAF300-03	1/4, 3/8	57	143	151	149	40	7.9	6.3	14	65	36.5	14	21
SAF400-04	1/2	75	174	179	181	54	10	8.5	17.9	85	50	25.7	35.7
SAF400-06	3/4	75	178	183	185	54	10	8.5	19.8	85	50	25.1	35.1

Series SAF100~600

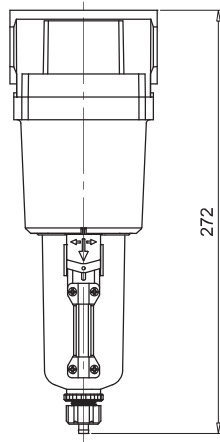
DIMENSIONS (mm)

SAF 600

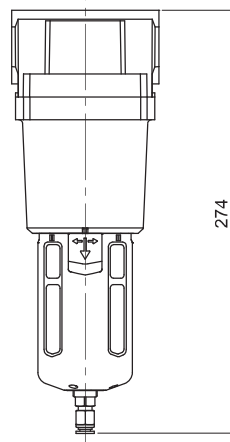
- SAF600-□06□□
- SAF600-□10□□



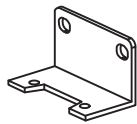

- Dimensions of each model with an option attached



Metal bowl type



with Auto drain

Option	B : Bracket	D : Auto Drain
Model	 B600	 SAD400