

NCD

2 WAY SUS316 SOLENOID VALVES

Normally Closed Solenoid Valve Pipe Size : 1/2" to 2" Screwed End

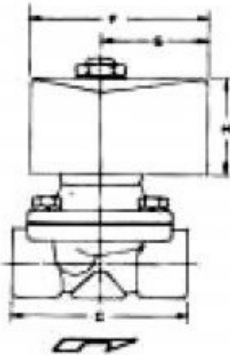
For Fluid : Water, Air, Oil

MODEL : AD12-10S~50S



DIMENSIONS

UNIT : mm



MODEL	A	B	C	D	E	F	G	H	I
AD12-15S	105	58	71	14	1/2"	71	43	39	47
AD12-20S	110	58	71	17	3/4"	71	43	39	47
AD12-25S	127	78	100	22	1"	72	43	44	48
AD12-35S	140	91	122	34	1-1/4"	71	43	39	47
AD12-40S	140	91	122	34	1-1/2"	71	43	39	47
AD12-50S	190	108	150	42	2"	84	47	60	64

SPECIFICATION

MODEL	MAX WORKING PRESS.		MAX OPERATING PRESS DIFF.
	WATER	AIR	WATER
AD12-15S	0~10	0~5	0~10
AD12-20S	0~10	0~5	0~10
AD12-25S	0~10	0~5	0~10
AD12-35S	0~10	0~5	0~10
AD12-40S	0~10	0~5	0~10
AD12-50S	0~10	0~5	0~10

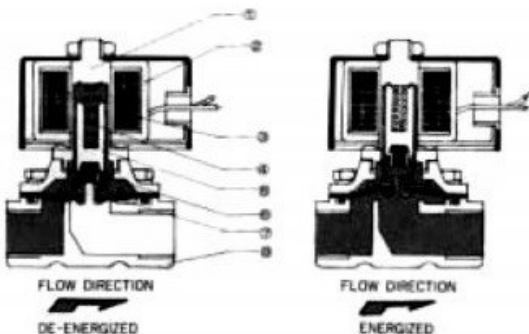
DIAPHRAGM

MATERIAL	NBR	EPDM	VITON	SILICONE
FLUID	OIL	WATER / AIR	ACID	RO WATER
TEMP (C)	5°C ~ 100°C	5°C ~ 120°C	5°C ~ 140°C	5°C ~ 120°C

REMARKS : NORMALLY USED IN WATER FLUID FOR AIR THE LIFE WILL BE SHORTER THAN WATER.

IF STEAM, SUGGEST TO USE PISTON TYPE

PIPE INTERNAL STRUCTURE



MATERIAL OF MAJOR PARTS

ITEMS	PART NAME	MATERIAL
1	CORE & CORE TUBE	STAINLESS STEEL
2	SI-COVER	SI-STEEL
3	COIL	LEAD WIRE , DIN TYPE
4	SPRING	STAINLESS STEEL
5	PLUNGER	STAINLESS STEEL
6	SEAT	VITON , NBR
7	DIAPHRAGM	NBR , SILICON , EPDM , VITON
8	BODY	SUS 316