

Hand Valve/Foot Valve



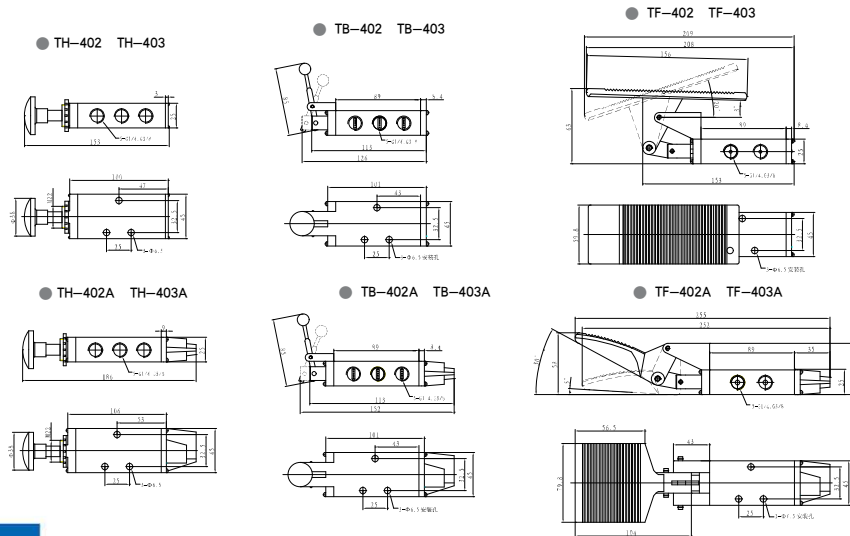
Ordering Code

TH — **402** — **A**
 TH: Hand Valve
 TB: Hand Valve
 TF: Foot Valve
 Pipe size
 402: G1/4
 403: G3/8
 Blank
 Fixed Type
 A: Spring return type

Technical Parameter

Item \ Specification	TH-402 / TH-403	TH-402A / TH-403A	TB-402 / TB-403	TB-402A / TB-403A	TF-402 / TF-403	TF-402A / TF-403A
Material of Body	Aluminum Alloy					
Control Form	Hand		Hand		Foot	
Function	2 Positions / 5 Ports					
Pipe Size	G1/4, G3/8					
Applicable Fluid	Air					
Pressure Range	0 ~ 0.8MPa					
Medium Temperature	-5 ~ 60°C					

Figure Dimension



Speed Control Valve



Character

It is a one-way flow control valve which can regulate the flow of compressed air in air passage. It will control forward flow and not control reversed flow, so as to change the oneway movement speed of executive components such as air cylinder.

Ordering Code

SV — **01**
 Series
 Pipe size
 01: G1/8
 02: G1/4
 03: G3/8
 04: G1/2
 06: G3/4
 10: G1

Graphics Sign

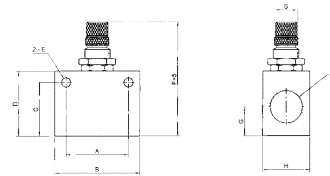


Technical Parameter

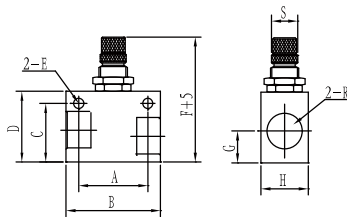
Specification/Item	Pipe size	Applicable Medium	Min. Operating Pressure	Pressure Range	Medium Temperature	
Precision type	SV-01	G1/8	Air	0.03MPa	0.05 ~ 1.2 MPa	
	SV-02	G1/4				
	SV-03	G3/8				
	SV-04	G1/2				
Basic type	ST-01	G1/8			0.05 ~ 0.8 MPa	-5 ~ 60°C
	ST-02	G1/4				
	ST-03	G3/8				
	ST-04	G1/2				
	ST-06	G3/4				
	ST-10	G1				

Figure Dimension

Precision Type



Basic Type



Specification	SV-01	SV-02	SV-03	SV-04
A	24.5	24.5	38	38
B	35	35	50	50
C	21	21	33	33
D	26	26	40	40
E	φ 4.5	φ 4.5	φ 5.5	φ 5.5
F	50	50	68	68
G	10	10	16	16
H	16	19	25	25
R	G1/8	G1/4	G3/8	G1/2
S	M12	M12	M16	M16

Specification	ST-01	ST-02	ST-03	ST-04	ST-06	ST-10
A	22	26	30	30	47	60
B	32	36	40	40	65	80
C	18	22	25	30	53	52.5
D	23	27	30	35	59.5	60
E	φ 4.3	φ 4.3	φ 4.3	φ 4.3	φ 8.5	φ 8.5
F	46/54	50/58	53/61	58/66	109/119	112/122
G	9.6	12	13	15	29.8	30
H	17	18	22	26	35	44
R	G1/8	G1/4	G3/8	G1/2	G3/4	G1
S	M14	M14	M14	M14	—	—